

CWDM (8+1) Power Meter



CWDM (8+1) Power Meter

Features

- Calibrated outputs at CWDM wavelengths, from 1470 to 1610nm MUXed in one fiber, and a second port for 1310nm
- Calibration on-site with customer's own standard power meter if needed
- Selection of relative/absolute power measurement
- Display single or eight measurements in dB or dBm
- Resolution 0.01dB; absolute accuracy ± 0.25 dB
- Small size, easy for field applications
- Light weight, about 0.2Kg
- Auto power shut-off can be disabled
- Rechargeable battery, Battery-full and Battery-low indicator
- Changeable receptacle connector FC, SC, ST

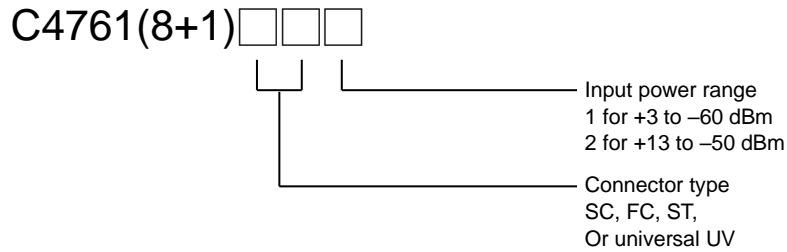
Specifications

Detector Material	InGaAs
Calibration Wavelengths	CWDM wavelength, from 1470 to 1610nm +/- 3nm 1310nm +/- 50nm
Power Range	+3 to -60 dBm or +13 to -50 dBm
Polarization Dependence	< 0.1 dB
Absolute Accuracy	± 0.25 dB under calibrated conditions
Linearity	± 0.05 dB
Display	LCD displays power in selected unit, wavelength. Warning symbol for low battery
Calibration Data	Data stored in non-volatile memory
Functions	ON/OFF: power switch; Auto-Off: enable/disable switch λ -key: input wavelength selection dB/dBm-key: power unit selection, and new power reference set On-site calibration up-down keys Battery level indicator
Optical Connector Interface	FC or ST or SC or universal, adapter for other connector available
Environmental: Operation Temp, Humidity Storage Temp, Humidity	-15°C to +50°C, 0-95% RH (non-condensing) -35°C to +70°C, 0-95% RH (non-condensing)
Power	Rechargeable Lithium battery, works continuously for more than 20 hrs after 2-hrs full charge

CWDM (8+1) Power Meter

Dimensions (Length x Width x Height)	16x7x3 cm (measured without case)
Weight (w/ batteries)	<0.2Kg

Ordering informatio

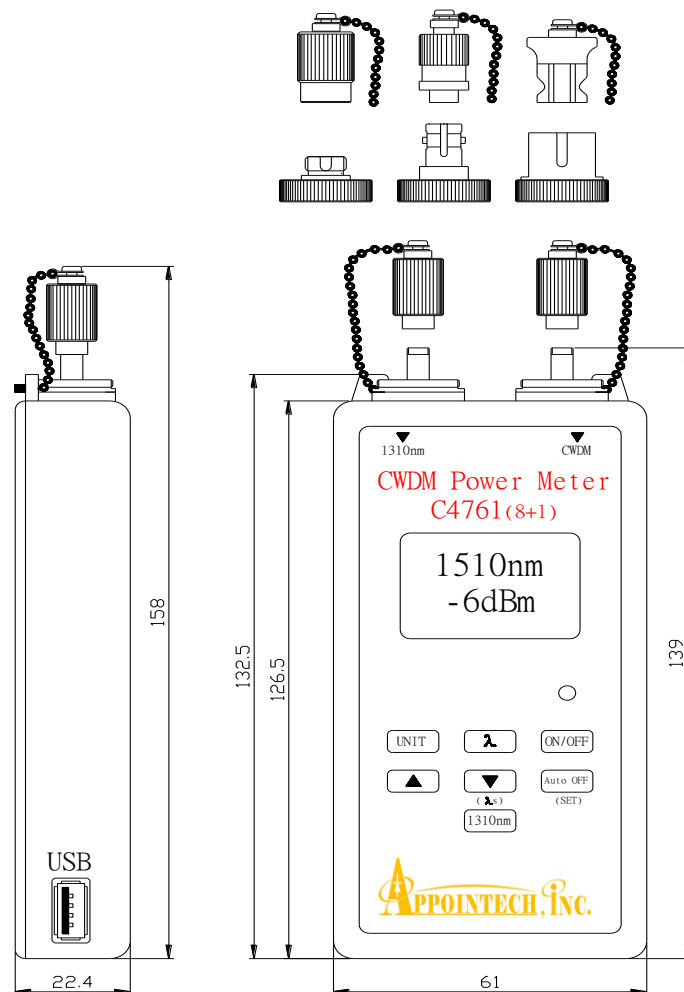


Options:

Changeable receptacle FC, SC, or ST

Standard Multi-units Carrying Case

Heavy-Duty Multi-units Carrying Case



Unit : mm

CWDM (8+1) Power Meter

