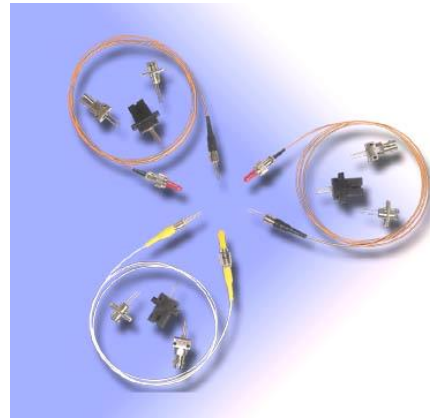


InGaAs APD PIN-TIA Module

Features

- High sensitivity
- Automatic gain control
- Wide dynamic range
- Differential output
- Operating temperature range -40°C to 85°C
- Single supply 3.3V
- Hermetically sealed TO-52 package in pigtailed or receptacle housing with FC, ST, SC, LC, MU or SMA connector



Specifications (T=25°C , +3.3V)

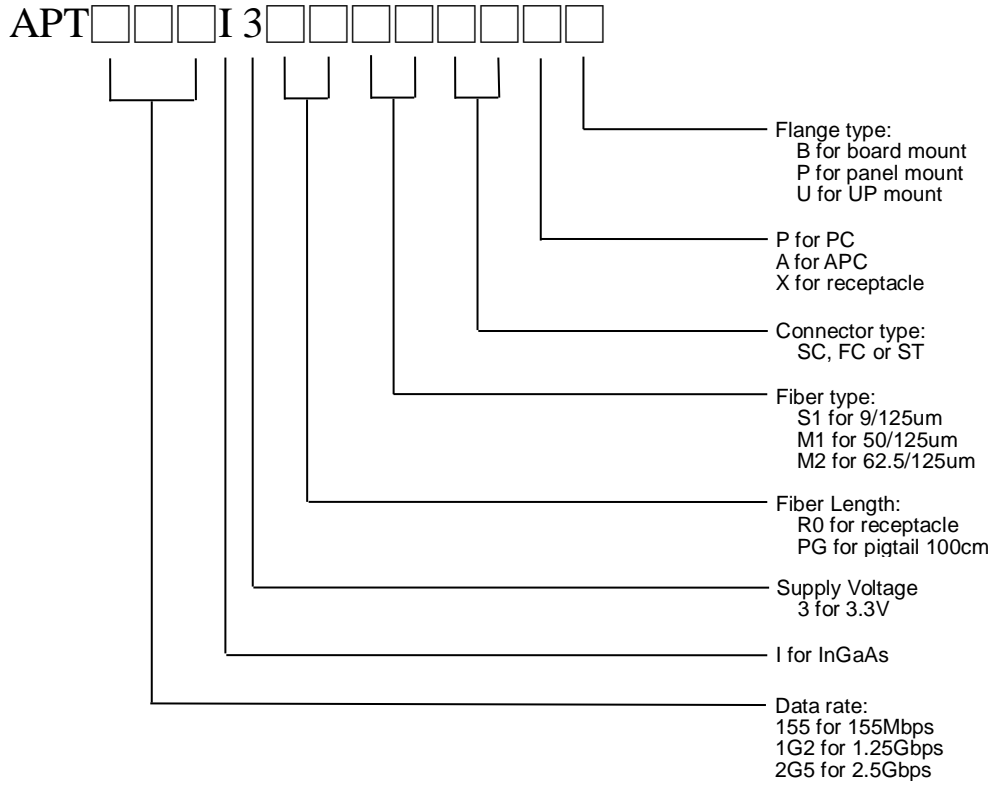
Parameter	Symbol	Min.	Typ.	Max.	Unit
Power Supply	V _{cc}	3.0	3.3	3.6	V
supply current (no load)	I _{op}	-	-	35	mA
			45	60	mA
			3	5	KHz
Low Frequency Cut Off		-			
Spectral Range	λ	1260	-	1650	nm
APD Breakdown Voltage	V _{br}	40		55	V
		33		46	V
Operating Voltage	V _{op}		V _{br} -2		V
Sensitivity	S			- 43	dBm
				-34	dBm
				-31	dBm
Input overload	P _{OL}	-7			dBm

Absolute Maximum Rating

	Symbol	Min.	Max.	Unit
Operating temperature	T _o	-40	85	°C
Storage temperature	T _{stg}	-40	100	°C
Lead Soldering Temperature (10 sec)	T _L	-	260	°C
Supply Voltage	-	-0.2	4	V

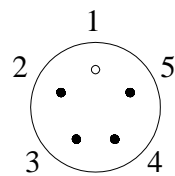
InGaAs APD PIN-TIA Module

Ordering Information

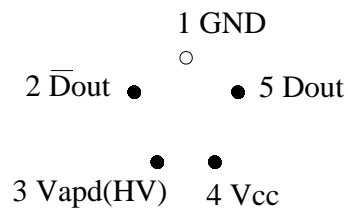


Pin Connections

BOTTOM VIEW



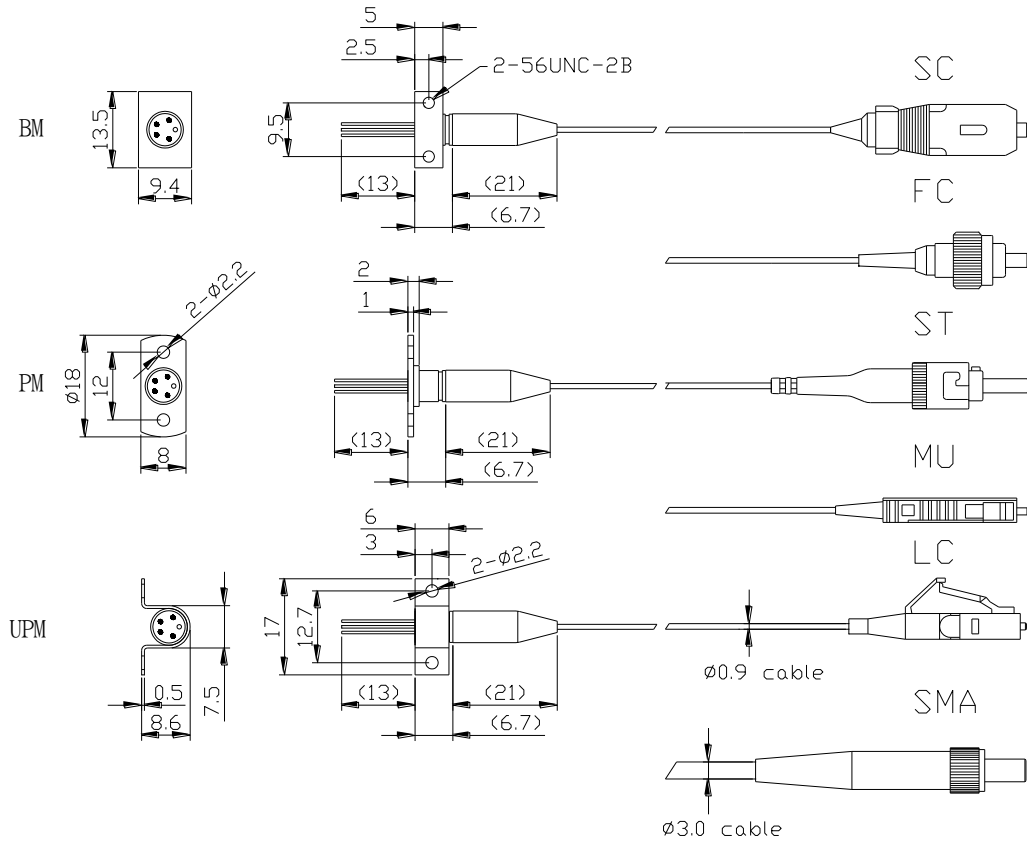
UNIT : MM



InGaAs APD PIN-TIA Module

Dimension

Pigtail Type



InGaAs APD PIN-TIA Module

Receptacle Type

