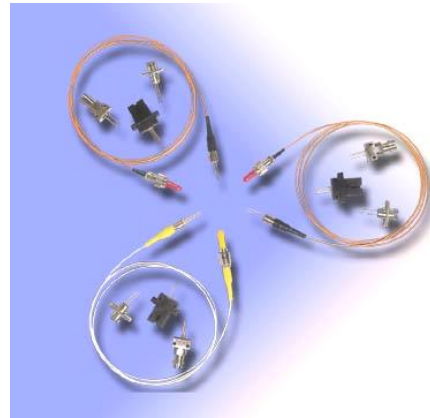


InGaAs APD PIN-TIA Module

Features

- High sensitivity
- Automatic gain control
- Wide dynamic range
- Differential output
- Operating temperature range -40°C to 85°C
- Single supply 3.3V
- Hermetically sealed TO-52 package in pigtailed or receptacle housing with FC, ST, SC, LC, MU or SMA connector



InGaAs APD PIN-TIA Module

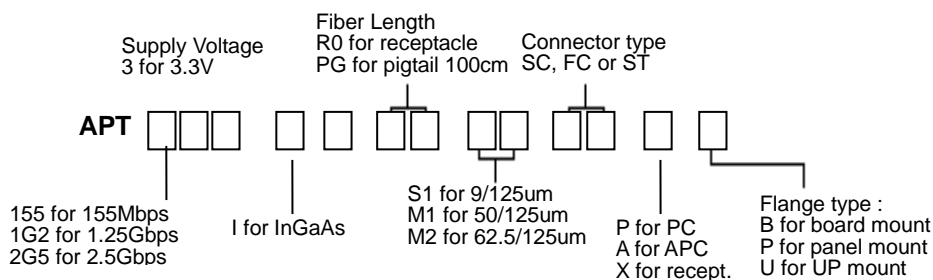
Specifications (T=25°C , +3.3V)

Parameter	Symbol	Min.	Typ.	Max.	Unit
Power Supply	Vcc	3.0	3.3	3.6	V
supply current (no load)	Iop	-	-	25	mA
1.25G, 2.5G			45	60	mA
Low Frequency Cut Off		-	3	5	KHz
Spectral Range	λ	1260	-	1650	nm
APD Breakdown Voltage	Vbr	40		55	V
1.25G, 2.5G	Vbr	33		46	V
Operating Voltage	Vop		Vbr-2		V
Sensitivity	S			- 43	dBm
155M					
1.25 Gbps			-	-34	dBm
2.5 Gbps		-	-	-31	dBm
Input overload	P _{OL}	-7			dBm

Absolute Maximum Rating

	Symbol	Min.	Max.	Unit
Operating temperature	T _o	-40	85	°C
Storage temperature	T _{stg}	-40	100	°C
Lead Soldering Temperature (10 sec)	T _L	-	260	°C
Supply Voltage	-	-0.2	4	V

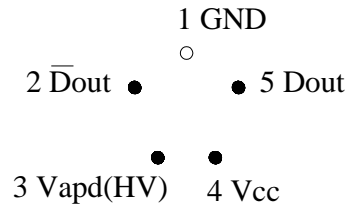
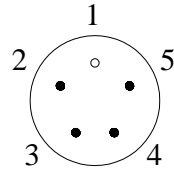
Ordering Information



InGaAs APD PIN-TIA Module

Pin Connections

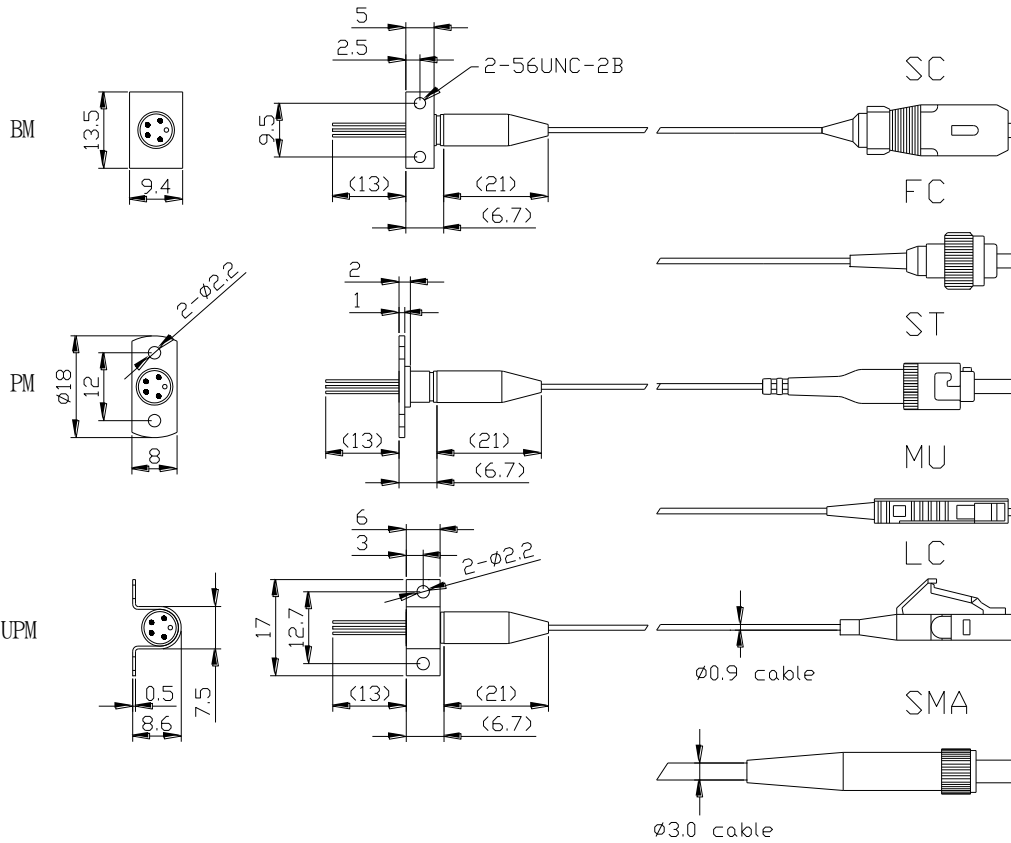
BOTTOM VIEW



UNIT : MM

Dimension

Pigtail Type



InGaAs PIN-TIA Module

InGaAs APD PIN-TIA Module

Receptacle Type

