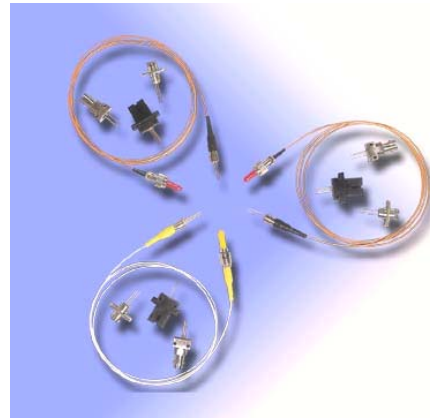


1.5G DC-Coupled InGaAs PIN-TIA Module

Features

- High sensitivity
- Differential output
- Operating temperature range -40°C to 85°C
- Single supply 3.3V
- Hermetically sealed TO-46 package in pigtailed or receptacle housing with FC, ST, SC, LC, MU or SMA connector



InGaAs PIN-TIA Module

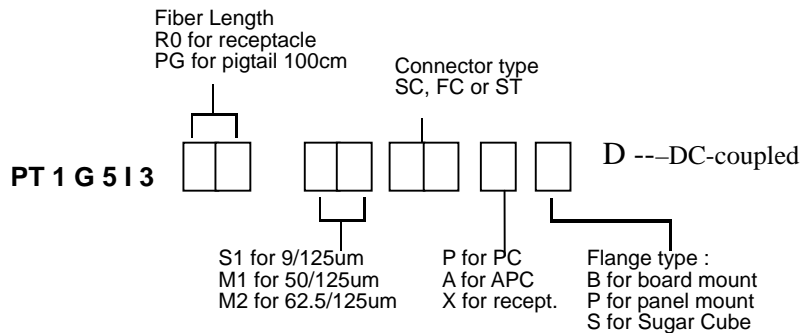
Specifications (T=25°C, +3.3V)

Parameter	Symbol	Min.	Typ.	Max.	Unit
Gain (differential output)	G	-	1.34	-	mV/uW
Bandwidth	B	1100	-	2000	MHz
Rise/Fall Time	Tr/Tf	-	-	400	ps
Spectral Range	λ	1150	-	1600	nm
Sensitivity	S	-	-26	-	dBm
Input overload	P _{OL}	-	-3	-	dBm
Power supply current	I _{op}	33	-	60	mA

Absolute Maximum Rating

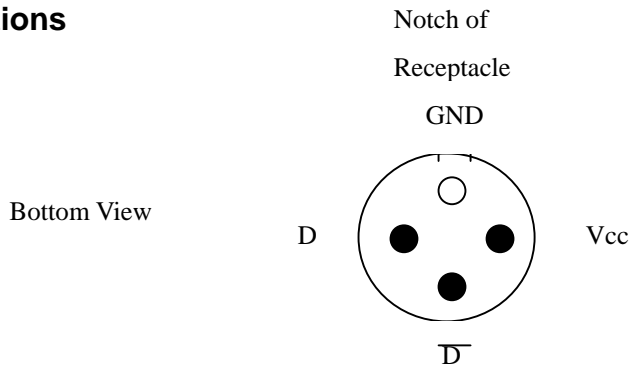
	Symbol	Min.	Max.	Unit
Operating temperature	T _o	-40	85	°C
Storage temperature	T _{stg}	-40	100	°C
Lead Soldering Temperature (10 sec)	T _L	-	260	°C
Supply Voltage	3.3V	3.1	3.6	V

Ordering Information



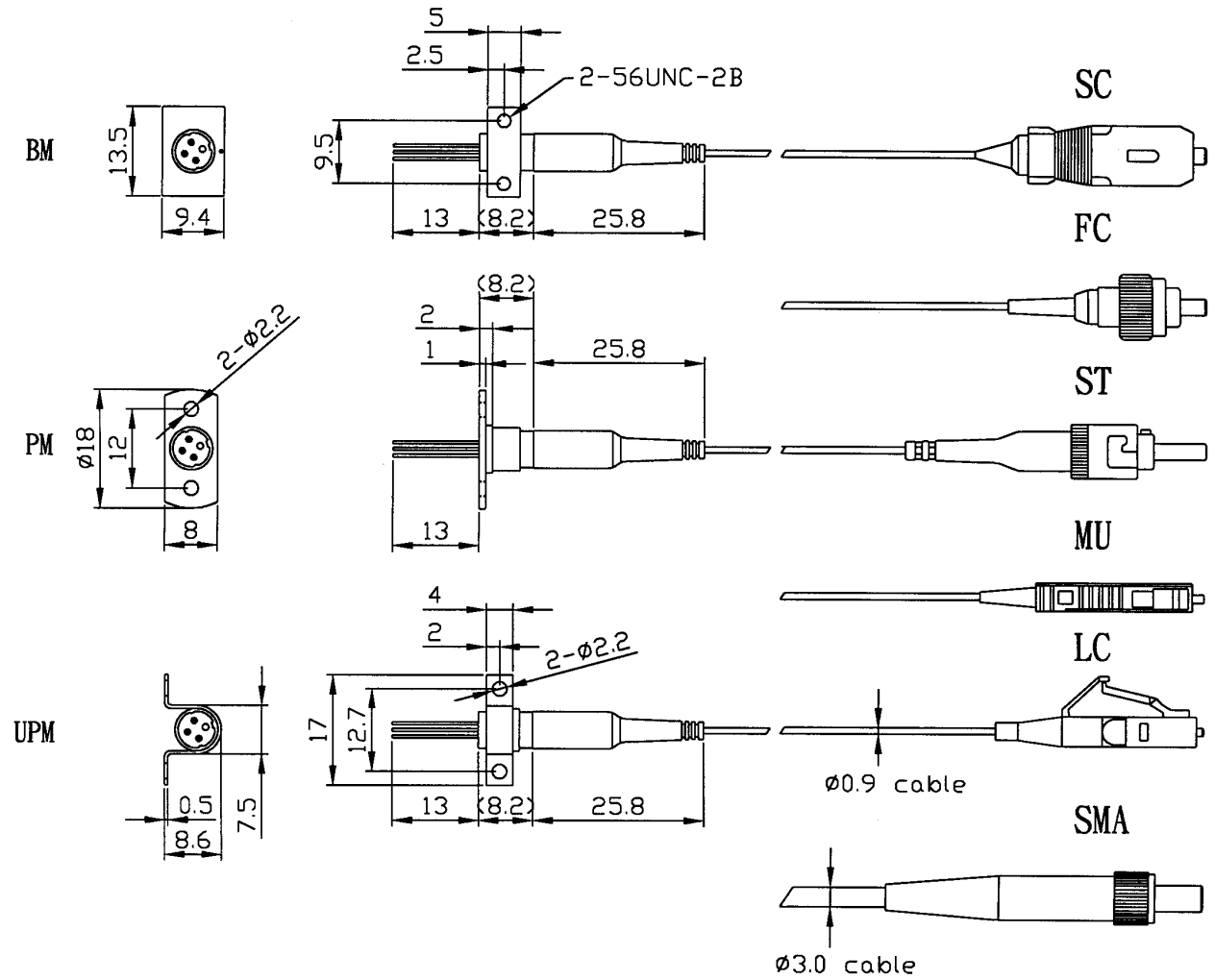
1.5G DC-coupled InGaAs PIN-TIA Module

Pin Connections



Dimension

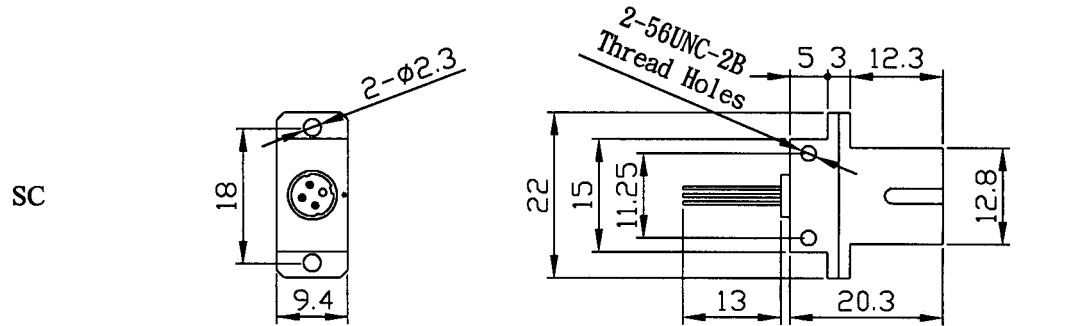
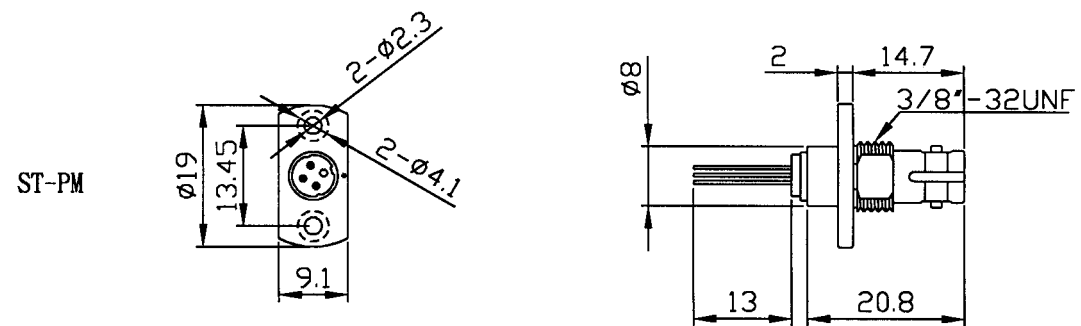
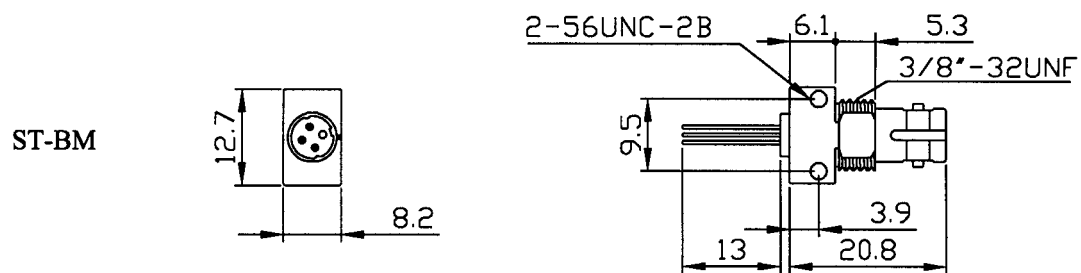
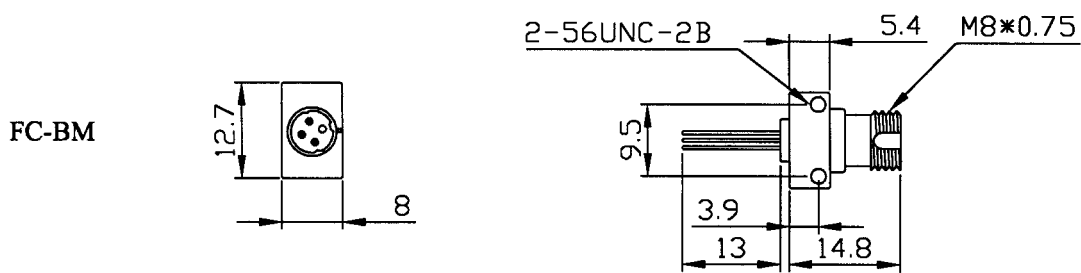
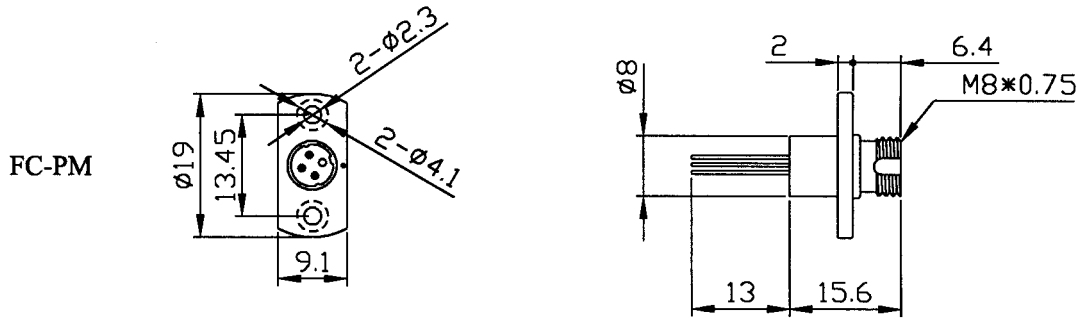
Pigtail Type



InGaAs PIN-TIA Module

1.5G DC-Coupled InGaAs PIN-TIA Module

Receptacle Type

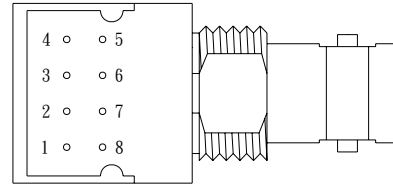


1.5G DC-coupled InGaAs PIN-TIA Module

Sugar Cube

Pin Connections (Type B)

PIN No.	FUNCTION
1	NC
2	SIGNAL
3	Vee (GND)
4	NC
5	NC
6	Vcc
7	Vee (GND)
8	NC



BOTTOM VIEW

Dimension (ST Receptacle) Unit mm

