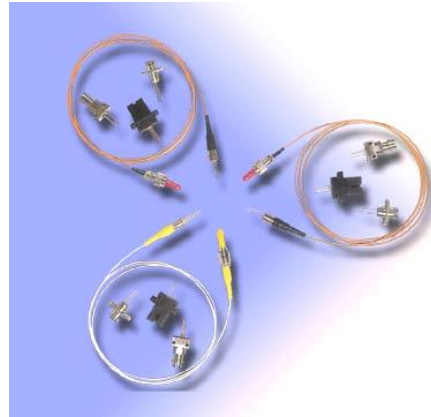


Silicon PIN Photodiode Module

Features

- High Responsivity
- High speed
- Low dark current, < 10nA
- Low capacitance, typical 6pF
- Operating temperature range -40°C to 85°C
- Hermetically sealed TO-18 package in pigtailed or receptacle housing with FC, ST, SC, LC, MU or SMA connector



Specifications (T=25°C)

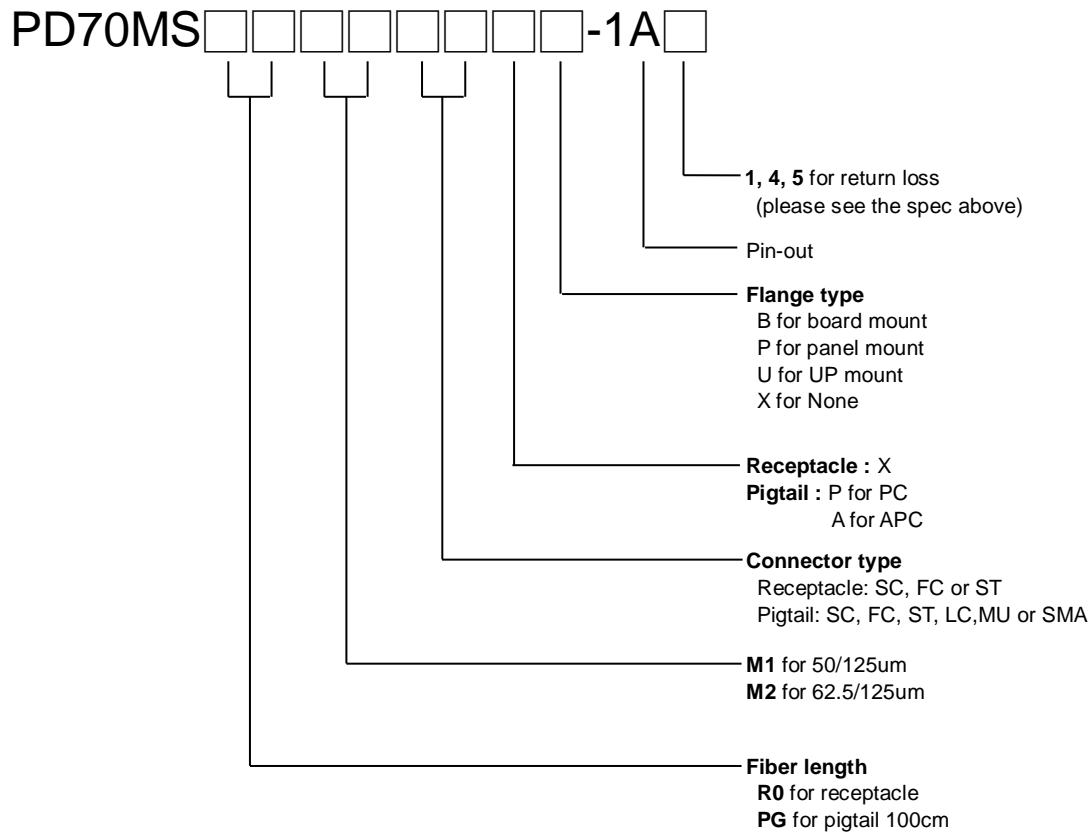
Parameter	Symbol	Test Condition	Min.	Typ.	Max.	Unit
Responsivity (62.5/125 um fiber)	R	LED source of 1mW($\lambda=850\text{nm}$)	0.3	0.4	-	A/W
Spectral Range	λ	-	430	-	1100	nm
Peak Sensing Wavelength	λ_P	-	-	780	-	nm
Dark Current	I_d	$V_R=10\text{V}$	-	-	10	nA
Capacitance	C_t	$V_R=5\text{V}, f=1\text{MHz}$	-	6	-	pF
Rise/Fall Time	t_r/t_f	20% to 80%	-	10	-	ns
Bandwidth	B	$V_R=2\text{V}, R_L=50\Omega$	-	70	-	MHz
Return Loss						
-1(Receptacle)			14	-	-	dB
-4(Receptacle or Pigtail)			40	-	-	dB
-5(Pigtail)			50	-	-	dB

Absolute Maximum Rating

	Symbol	Min.	Max.	Unit
Operating Temperature	T_o	-40	+85	°C
Storage Temperature	T_{stg}	-40	+125	°C
Forward Current	I_F	-	7	mA
Reverse Voltage	V_R	-	30	V
Reverse Current	I_R	-	7	mA
Lead Soldering Temperature (10 sec)	T_L	-	260	°C

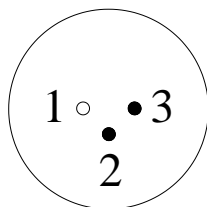
Silicon PIN Photodiode Module

Ordering Information

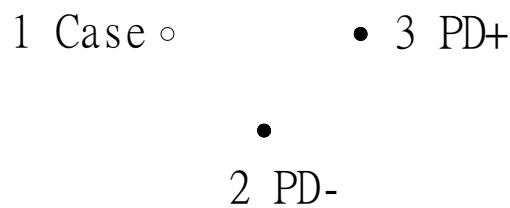


Pin Connections

BOTTOM VIEW



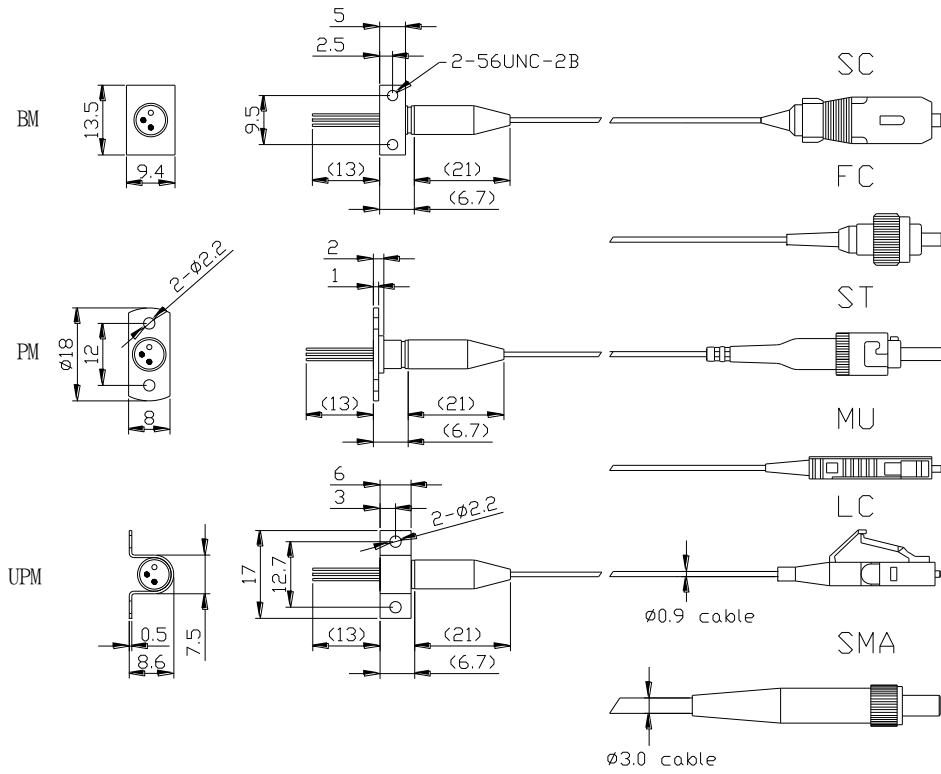
UNIT : MM



Silicon PIN Photodiode Module

Dimension

Pigtail Type



Silicon PIN Photodiode Module

Receptacle Type

