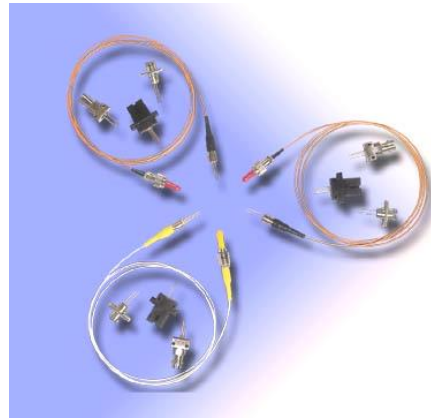


2.5Gbps InGaAs PIN Photodiode Module

Features

- High Responsivity
- High speed, typical 2.5GHz
- Low dark current, typical 0.1nA
- Low capacitance, typical 0.7pF
- Operating temperature range -40°C to 85°C
- Hermetically sealed TO-18 package in pigtailed or receptacle housing with FC, ST, SC, LC, MU or SMA connector



Specifications (T=25°C, -5V)

Parameter	Symbol	Test Condition	Min.	Typ.	Max.	Unit
Responsivity	R					
9/125 um fiber	-1 -2	Laser source of 10 uW($\lambda=1300\text{nm}$)	0.7 0.8	0.8 0.9	- -	A/W
50/125 um fiber	-1 -2	LED source of 10 uW($\lambda=1300\text{nm}$)	0.65 0.75	0.75 0.85	- -	A/W
62.5/125 um fiber	-1 -2	LED source of 10 uW($\lambda=1300\text{nm}$)	0.6 0.7	0.7 0.8	- -	A/W
Spectral Range		-	900	-	1600	nm
Dark Current	I_d	$V_R=2\text{V}$, 0 to 1MHz	-	0.1	1	nA
Capacitance	C_t	$V_R=2\text{V}$, 1MHz	-	0.7	0.9	pF
Rise/fall Time	tr/tf	$V_R=2\text{V}$, 20% to 80%	-	<1	-	ns
Bandwidth	B		-	2.5	-	GHz
Return Loss						
-1(Receptacle)			14	-	-	dB
-3(Receptacle or Pigtail)			30	-	-	dB
-4(Receptacle or Pigtail)			40	-	-	dB
-5(Pigtail)			50	-	-	dB

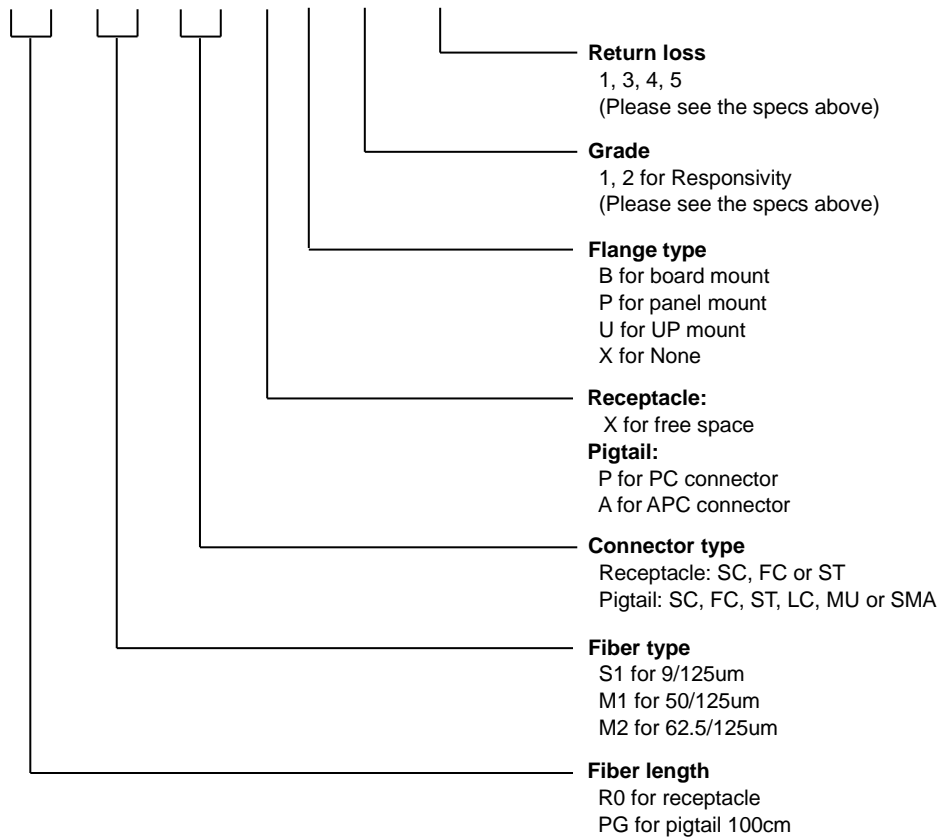
Absolute Maximum Rating

	Symbol	Min.	Max.	Unit
Operating Temperature	T_o	-40	+85	°C
Storage Temperature	T_{stg}	-40	+125	°C
Forward Current	I_F	-	5	mA
Reverse Voltage	V_R	-	30	V
Reverse Current	I_R	-	500	uA
Lead Soldering Temperature (10 sec)	T_L	-	260	°C

2.5Gbps InGaAs PIN Photodiode Module

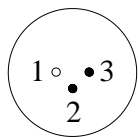
Ordering Information

PD2G5I□□□□□□□□-□A□

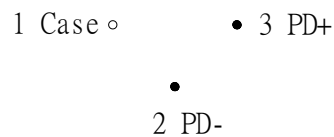


Pin Connections

BOTTOM VIEW



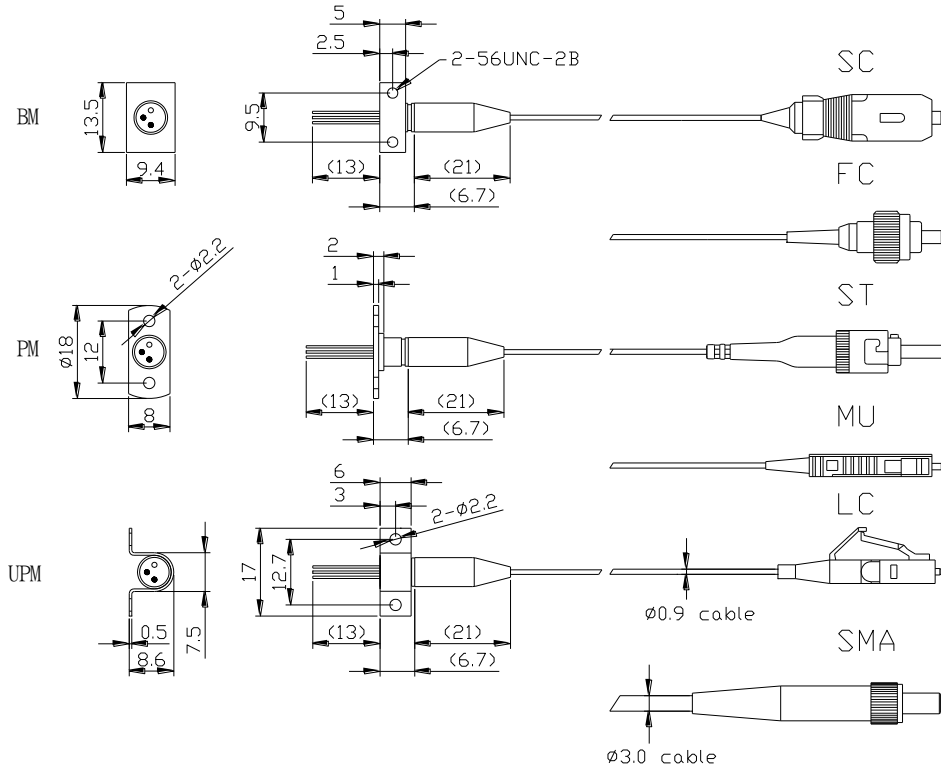
UNIT : MM



2.5Gbps InGaAs PIN Photodiode Module

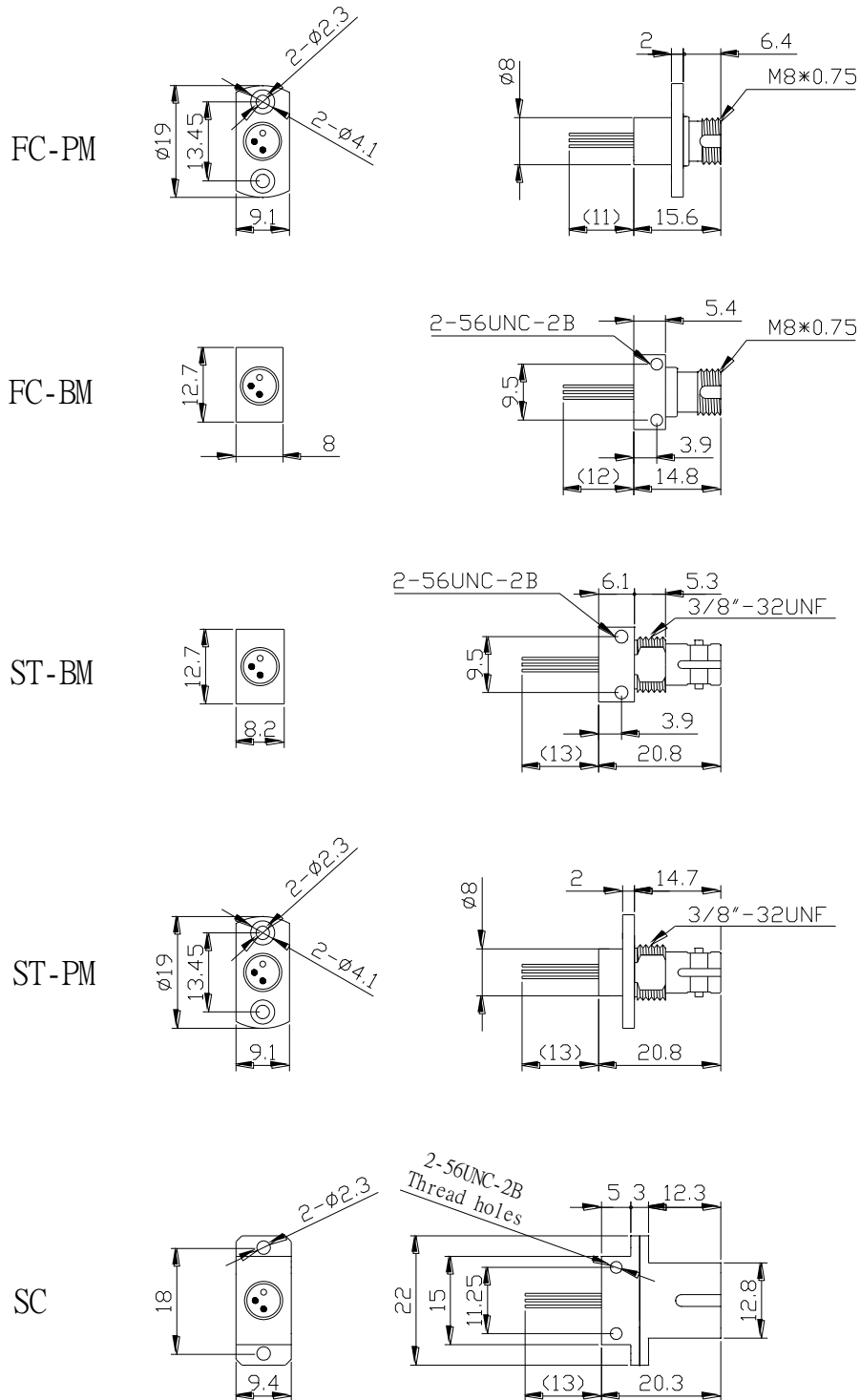
Dimension

Pigtail Type



2.5Gbps InGaAs PIN Photodiode Module

Receptacle Type



2.5Gbps InGaAs PIN Photodiode Module

