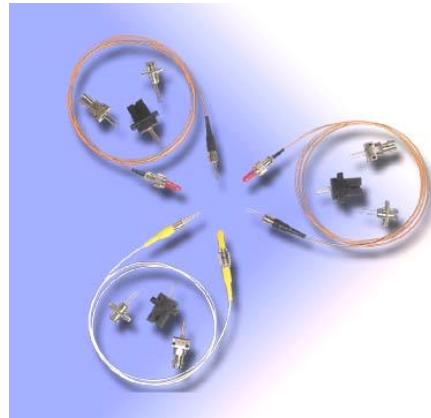


## 2.5Gbps InGaAs APD Module

### Features

- High Responsivity, facilitates -28 dBm sensitivity
- High speed, typical 2.5GHz
- Low dark current
- Low capacitance, typical 0.23pF
- Operating temperature range -40°C to 85°C
- Hermetically sealed TO-18 package in pigtailed or receptacle housing
- RoHS Compliant



### Specifications (T=25°C)

Parameter	Symbol	Test Condition	Min.	Typ.	Max.	Unit
Spectral Range	$\lambda$		900	-	1700	nm
Breakdown Voltage	$V_{BD}$	$I_d=10\mu A$	38	-	54	V
Operating Voltage	$V_{OP}$	Best sensitivity	-	$V_{BD}-3$	$V_{BD}-2$	V
Temperature Coefficient of Breakdown Voltage			0.06	0.07	0.08	V/°C
Dark Current	$I_d$	$V_{OP}, 25^\circ C$	-	10	-	nA
	$I_d$	$V_{OP}, 85^\circ C$	-	360	-	nA
Gain	M	$V_{OP}$	7	10		
Terminal Capacitance	C	$V_{OP}, M=10$	-	-	0.5	pF
Bandwidth (3dB)	BW	M=10	2.5	-	-	GHz
Series Resistance	$R_s$		-	-	50	$\Omega$
Return Loss						
-1(Receptacle)			14	-	-	dB
-3(Receptacle or Pigtail)			30	-	-	dB
-4(Receptacle or Pigtail)			40	-	-	dB
-5(Pigtail)			50	-	-	dB

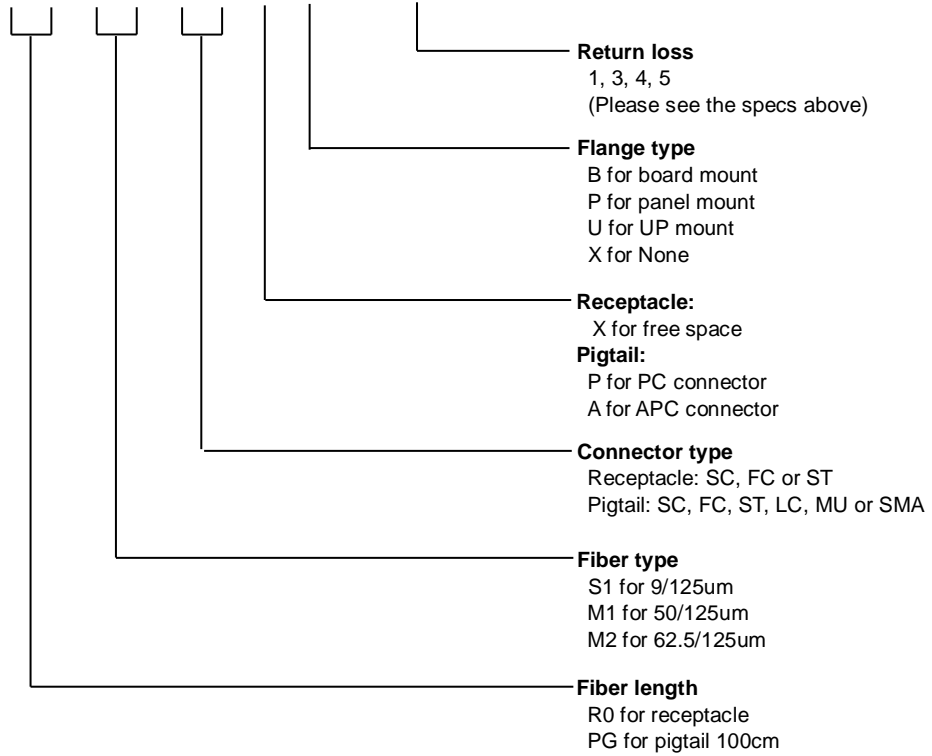
### Absolute Maximum Rating

	Symbol	Min.	Max.	Unit
Operating Temperature	$T_o$	-40	85	°C
Storage Temperature	$T_{stg}$	-40	100	°C
Forward Current	$I_F$	-	2	mA
Reverse Voltage	$V_R$	-	$V_{BD}$	V
Reverse Current	$I_R$	-	3	mA
Lead Soldering Temperature (10 sec)	$T_L$	-	260	°C

## 2.5Gbps InGaAs APD Module

### Ordering Information

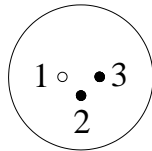
APD2G5I□□□□□□□□-1A□



# 2.5Gbps InGaAs APD Module

## Pin Connections

### BOTTOM VIEW

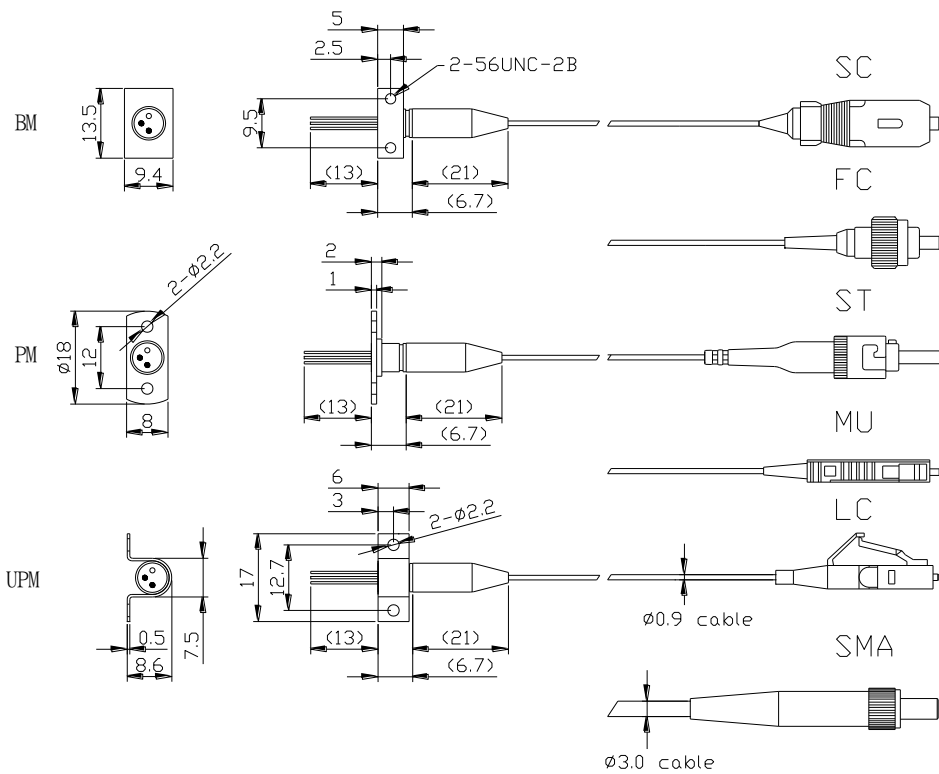


UNIT : mm

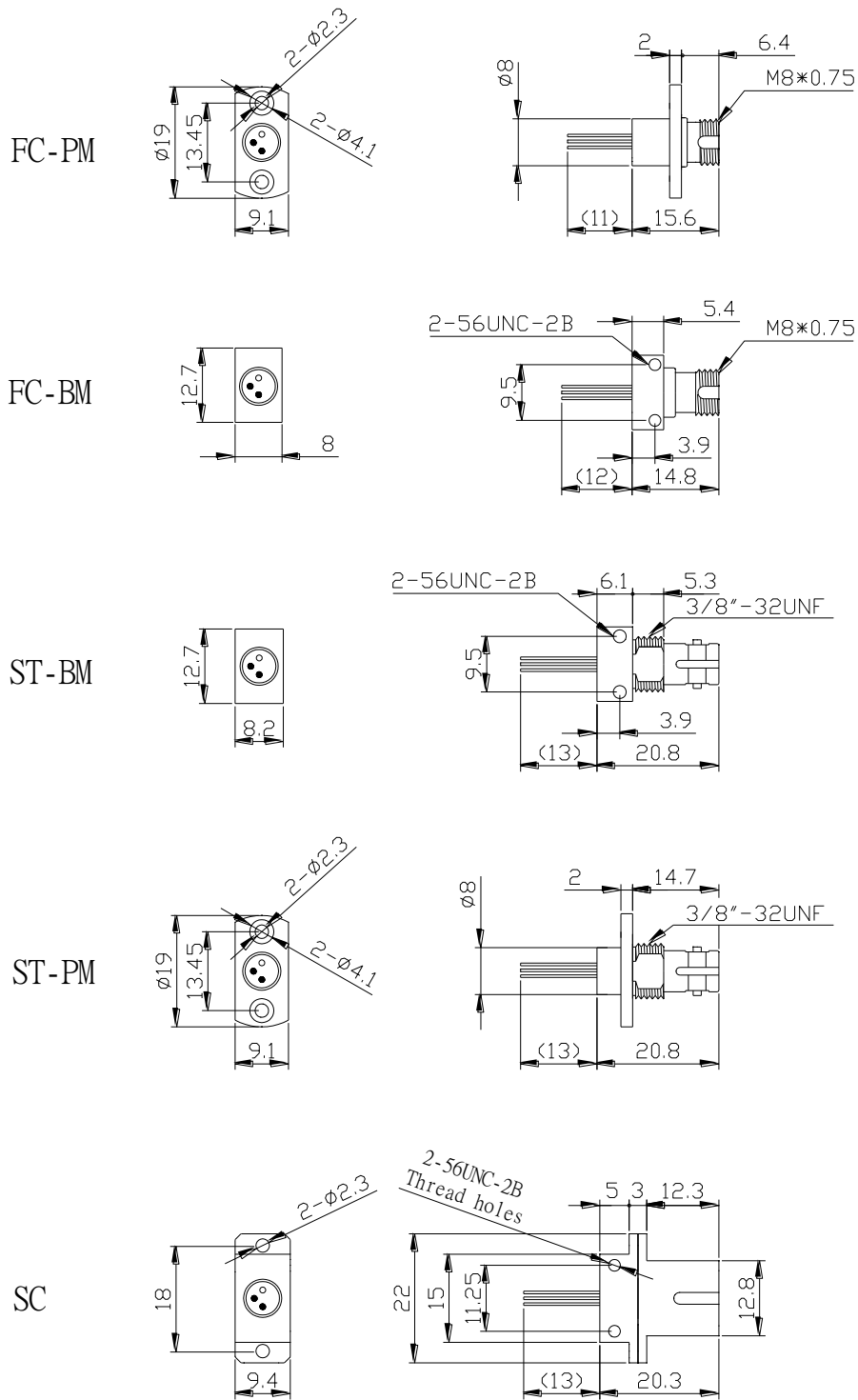
Case  
1 ○

PD Anode  
• 3

• 2  
PD Cathode



# 2.5Gbps InGaAs APD Module



# 2.5Gbps InGaAs APD Module

## Responsivity vs Voltage

