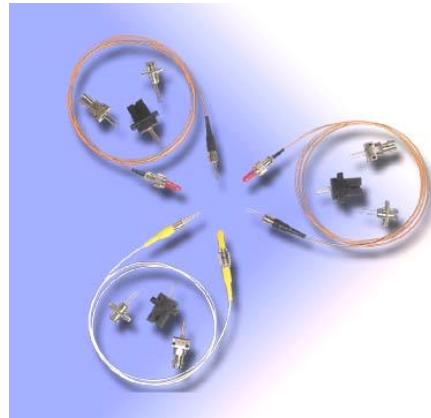


850nm LED Module

Features

- High coupled power
- Peak wavelength 850 nm
- High reliability
- Data rate up to 155 Mb/s
- Operating temperature range -40°C to 85°C
- Hermetically sealed To-46 package in pigtailed or receptacle housing with FC, ST or SC connector



850nm LED Module

Specifications (100mA forward current, 25°C)

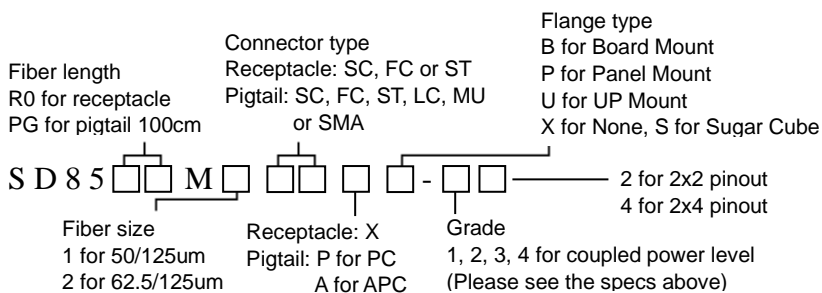
Parameter	Symbol	Min	Typical	Max	Units
Peak Wavelength	λ	820	850	870	nm
Spectral Width FWHM	$\Delta\lambda$	-	60	-	nm
Coupled Power (62.5/125 μm fiber)					
-1	Po	20	-	40	μW
-2	Po	40	-	70	μW
-3	Po	80	-	120	μW
-4	Po	120	-	-	μW
Coupled Power (50/125 μm fiber)					
-1	Po	10	-	20	μW
-2	Po	20	-	35	μW
-3	Po	40	-	50	μW
-4	Po	50	-	-	μW
Coupled Power (100/140 μm fiber)	-4 Po	200	300	-	μW
Coupled Power (200/230 μm fiber)	-4 Po	400	600	-	μW
Forward Voltage	V _F	-	1.8	2.2	V
Rise/Fall Time	tr/tf	-	-	7	ns
Bandwidth	fc	-	60	-	MHz
Data Rate	B	-	155	-	Mb/s

Absolute Maximum Ratings

Parameter	Symbol	Min.	Max.	Unit
Operating Temperature	T _o	-40	+85	°C
Storage Temperature	T _{stg}	-55	+100	°C
Reverse Voltage	V _R	-	1.5	V
Continuous Forward Current	I _{co}	-	120	mA
Peak Forward Current (duty cycle < 50%, f>1MHz)	I _{po}	-	150	mA
Lead Soldering Temperature (10 sec)	T _L	-	260	°C

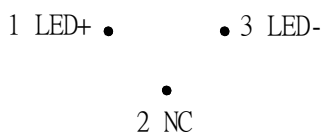
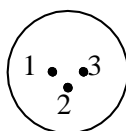
850nm LED Module

Ordering Information



Pin Connections

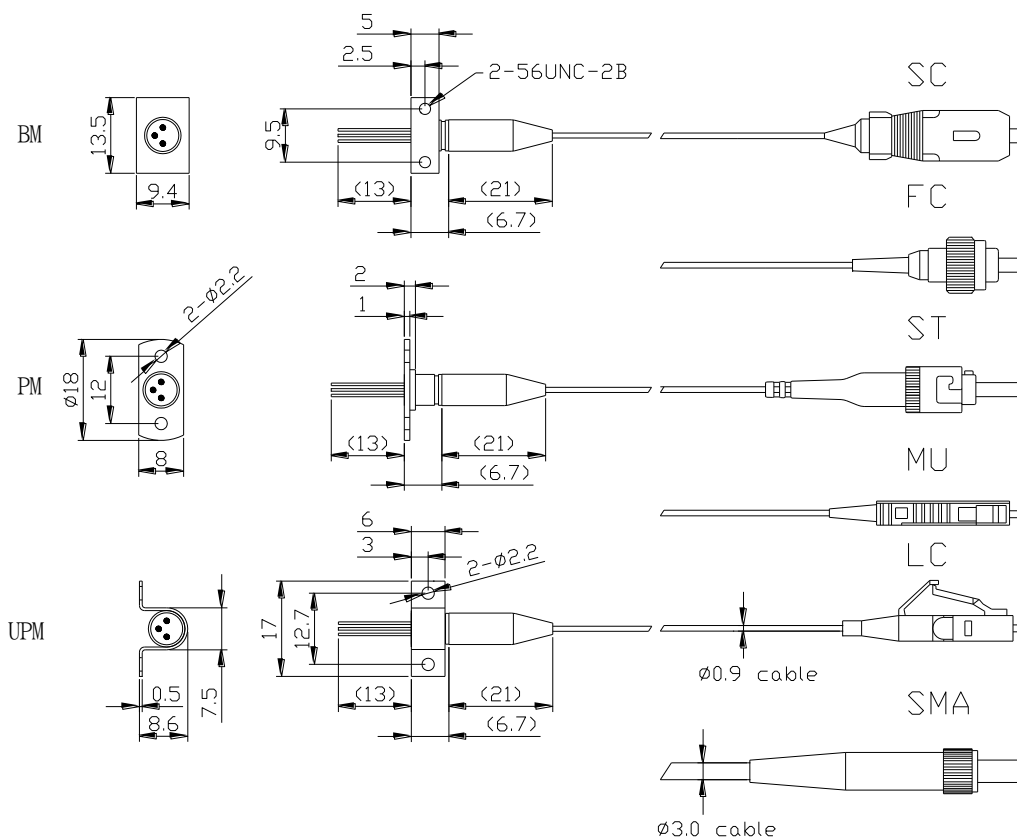
BOTTOM VIEW



UNIT : MM

Dimension

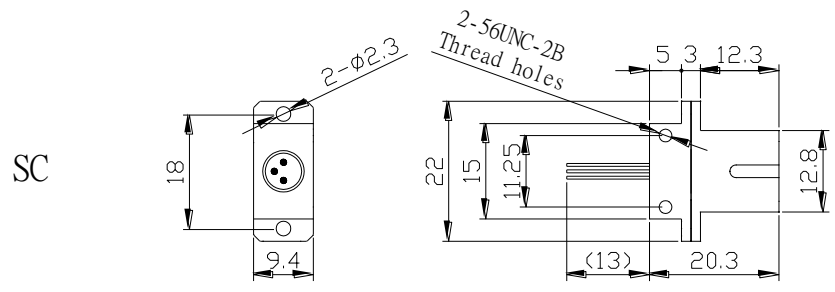
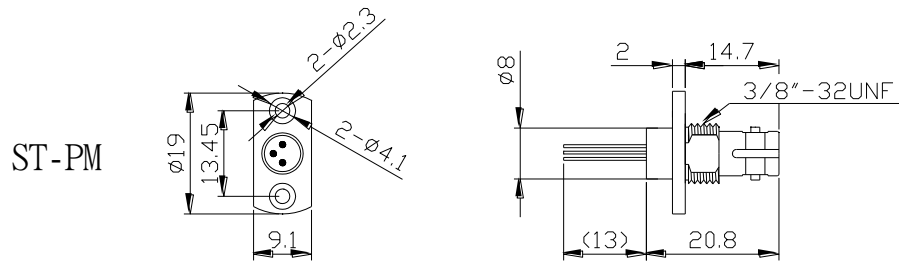
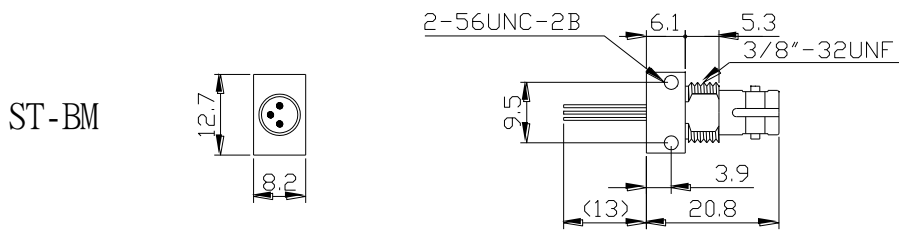
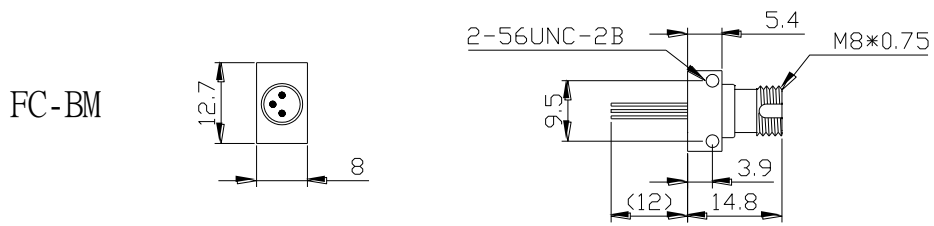
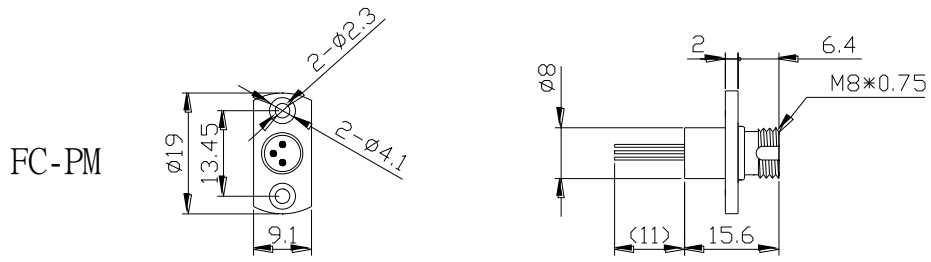
Pigtail Type



850nm LED Module

Receptacle Type

850nm LED Module



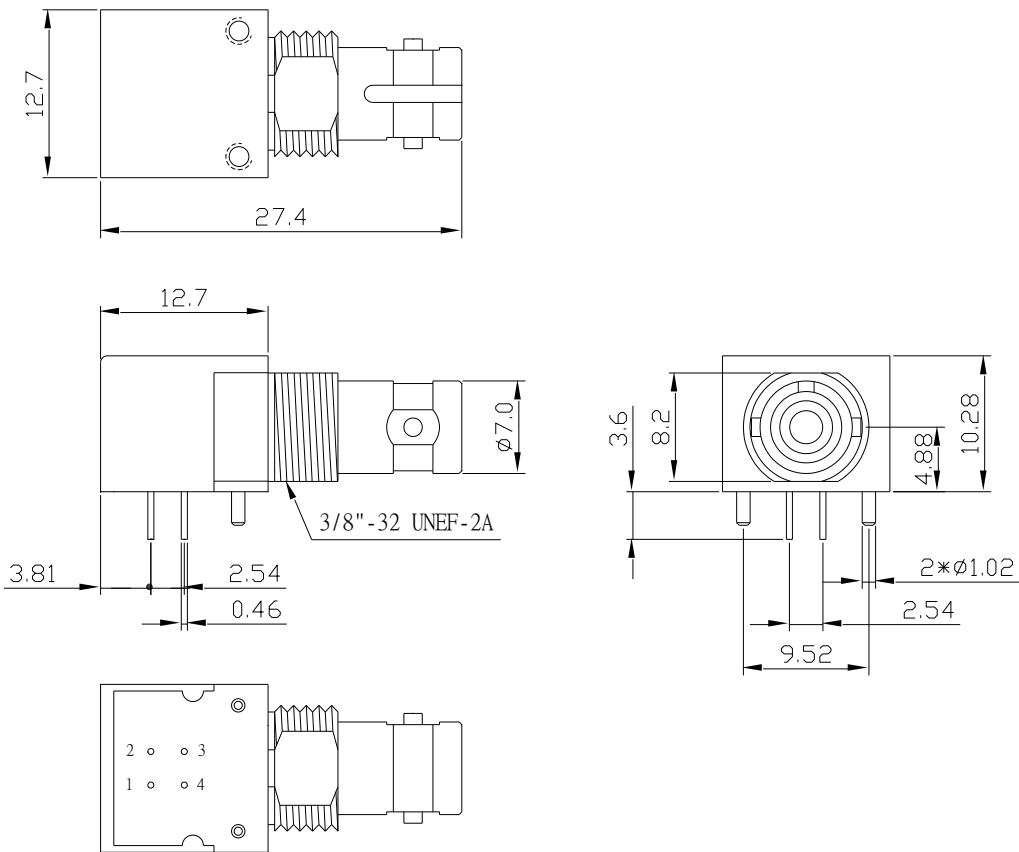
850nm LED Module

Sugar Cube

2X2 Pin Connections

PIN	FUNCTION
1	ANODE
2	CATHODE
3	ANODE
4	ANODE

Dimension (ST Receptacle)



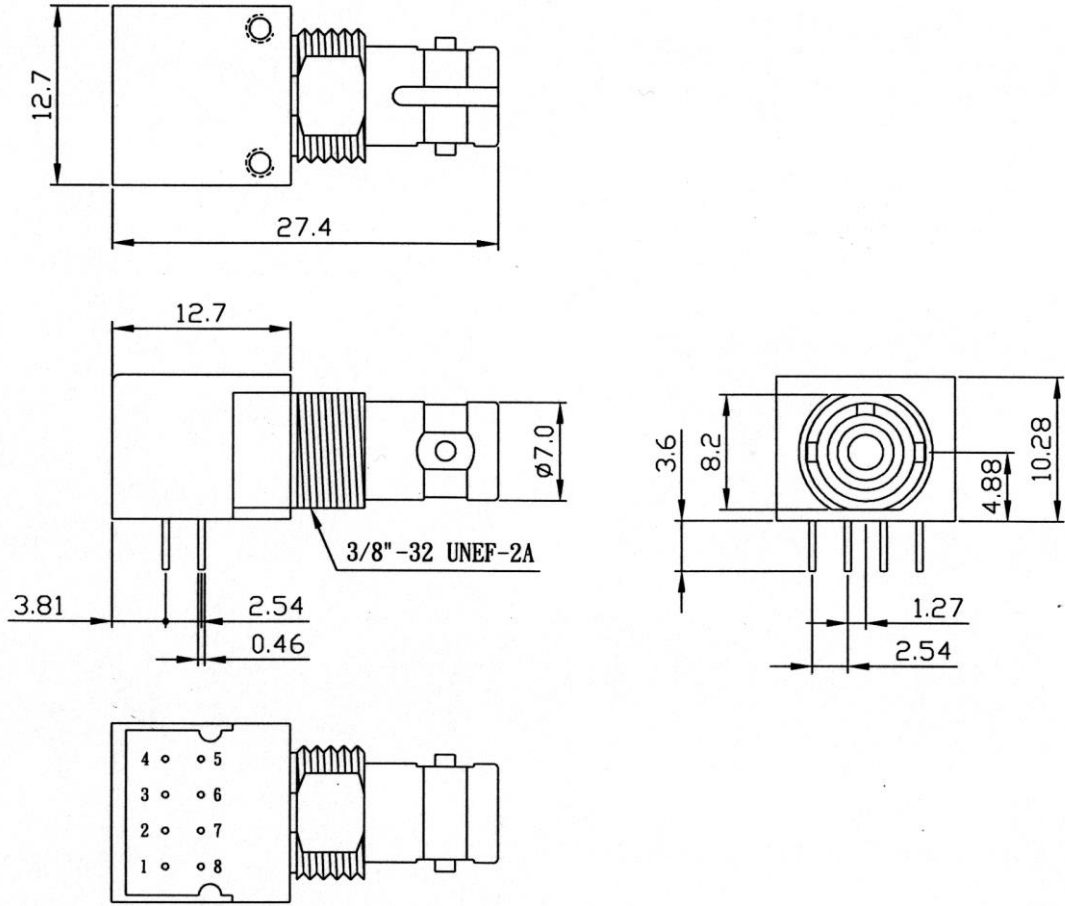
Units:mm

850nm LED Module

Sugar Cube

2X4 Pin Connections

850nm LED Module



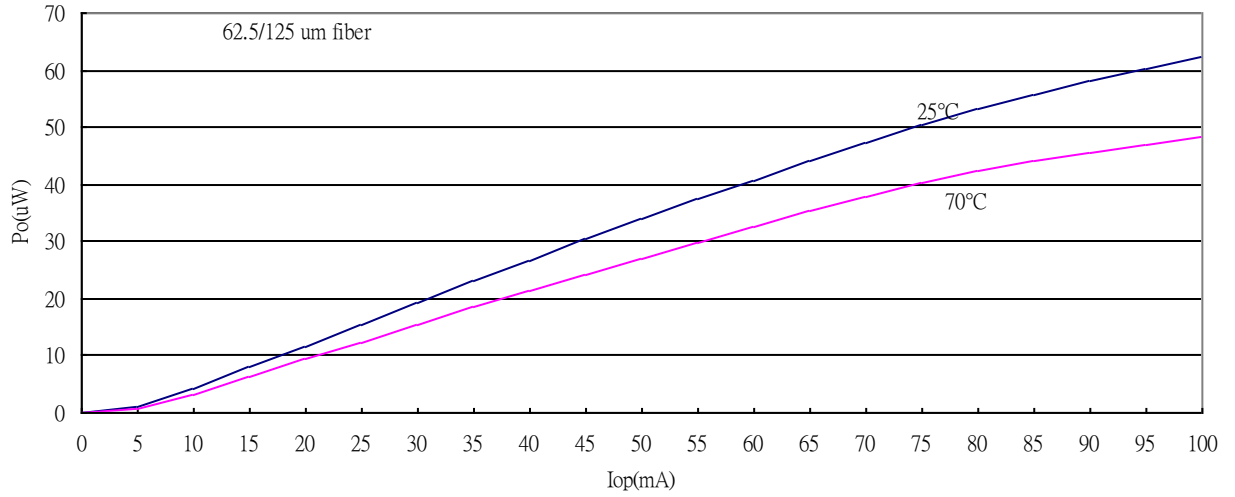
Pin Connections

PIN No.	FUNCTION
1	NC
2	ANODE
3	CATHODE
4	NC
5	NC
6	ANODE
7	ANODE
8	NC

850nm LED Module

850nm LED (-2 Grade)

Po vs Iop



850nm LED (-4 Grade)

Iop-Po Curve

