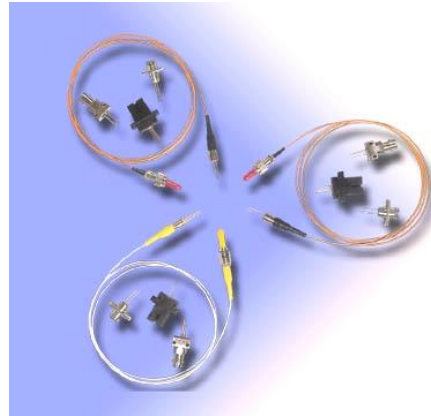


# 1550nm ELED Module

1550nm ELED Module

## Features

- High coupled power
- Peak wavelength 1550 nm
- 3 dB bandwidth >40 nm
- Cut off frequency > 150 MHz
- Operating temperature range 0°C to 70°C
- Hermetically sealed TO package in pigtailed, receptacle housing with FC, ST or SC, or sugar cube with ST



## Specifications (100mA forward current, 25 °C)

Parameter	Symbol	Min	Typical	Max	Units
Peak Wavelength	$\lambda$	1520	1550	1580	nm
Spectral width FWHM	$\Delta\lambda$	40	-	-	nm
Coupled power to 62.5 $\mu$ m fiber	Po	300	-	-	$\mu$ W
Coupled power to 50 $\mu$ m fiber	Po	300	-	-	$\mu$ W
Coupled power to 9 $\mu$ m fiber	Po	100	-	-	$\mu$ W
Forward voltage	V <sub>F</sub>	-	-	2	V
Rise/fall time (10% to 90%)	tr/tf	-	-	3	ns
Cut off frequency (I <sub>op</sub> =100 mA, 20mA p-p)	B	150	-	-	Mb/s

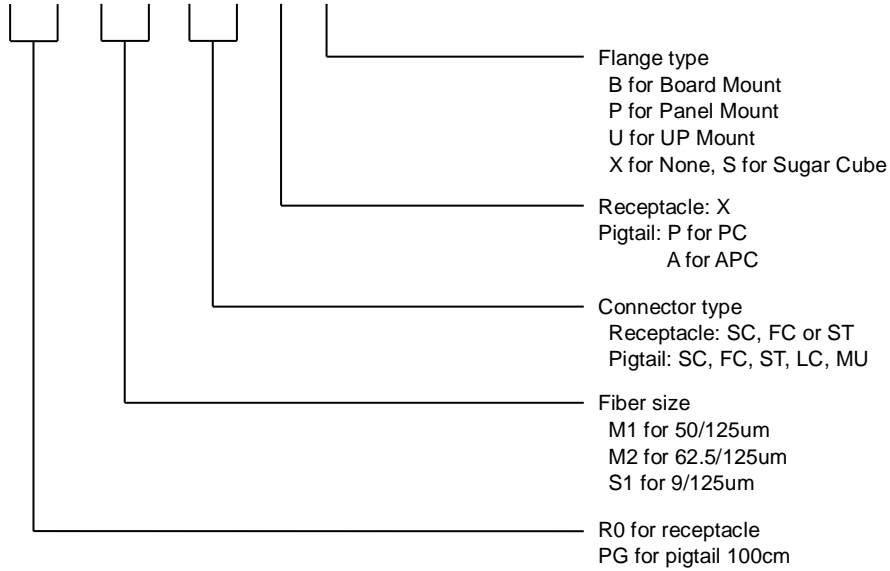
## Absolute Maximum Ratings

Parameter	Symbol	Min.	Max.	Unit
Operating temperature	T <sub>o</sub>	0	+70	°C
Storage temperature	T <sub>stg</sub>	-40	+85	°C
Reverse voltage	V <sub>R</sub>	-	2	V
Forward current	I <sub>op</sub>	-	150	mA
Lead Soldering Temperature (10sec)	T <sub>L</sub>	-	260	°C

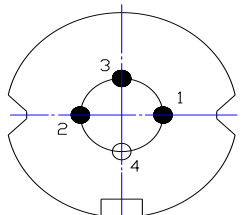
# 1550nm ELED Module

## Ordering Information

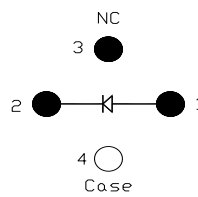
SD15□□□□□□□□-4



## Pin Connections



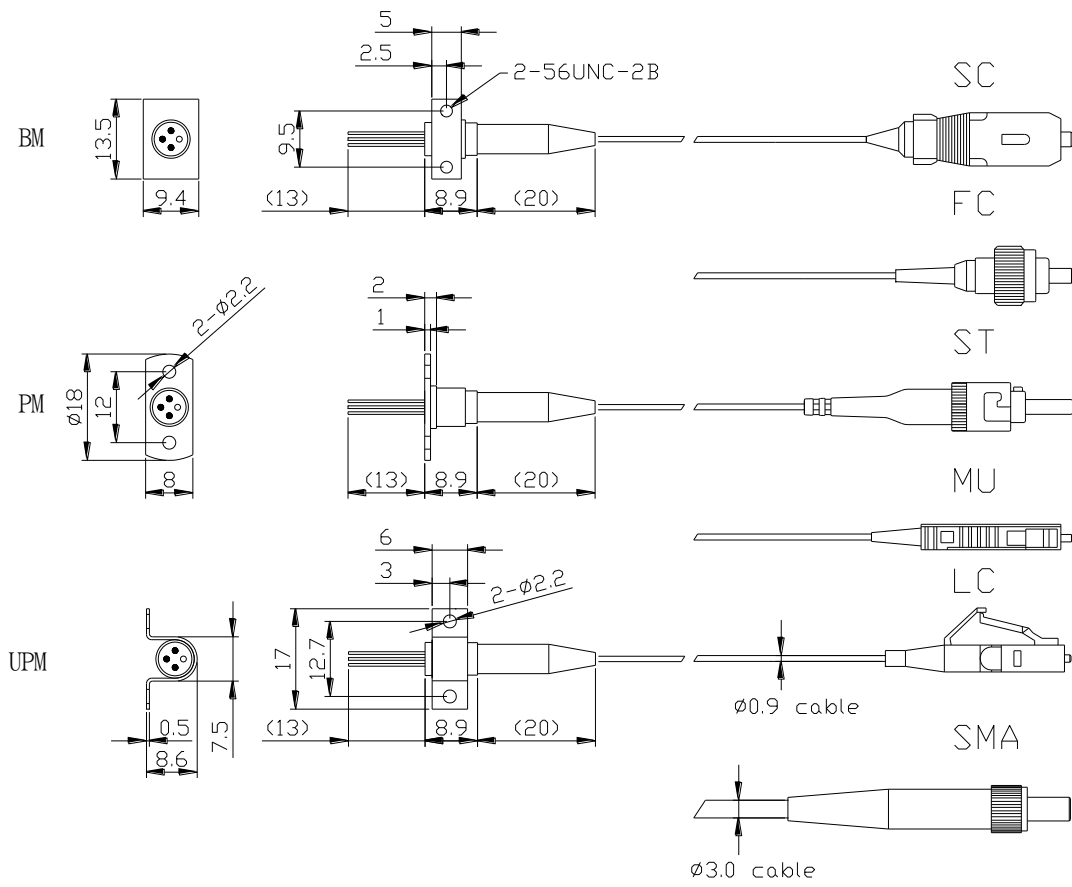
BOTTOM VIEW



# 1550nm ELED Module

## Dimension

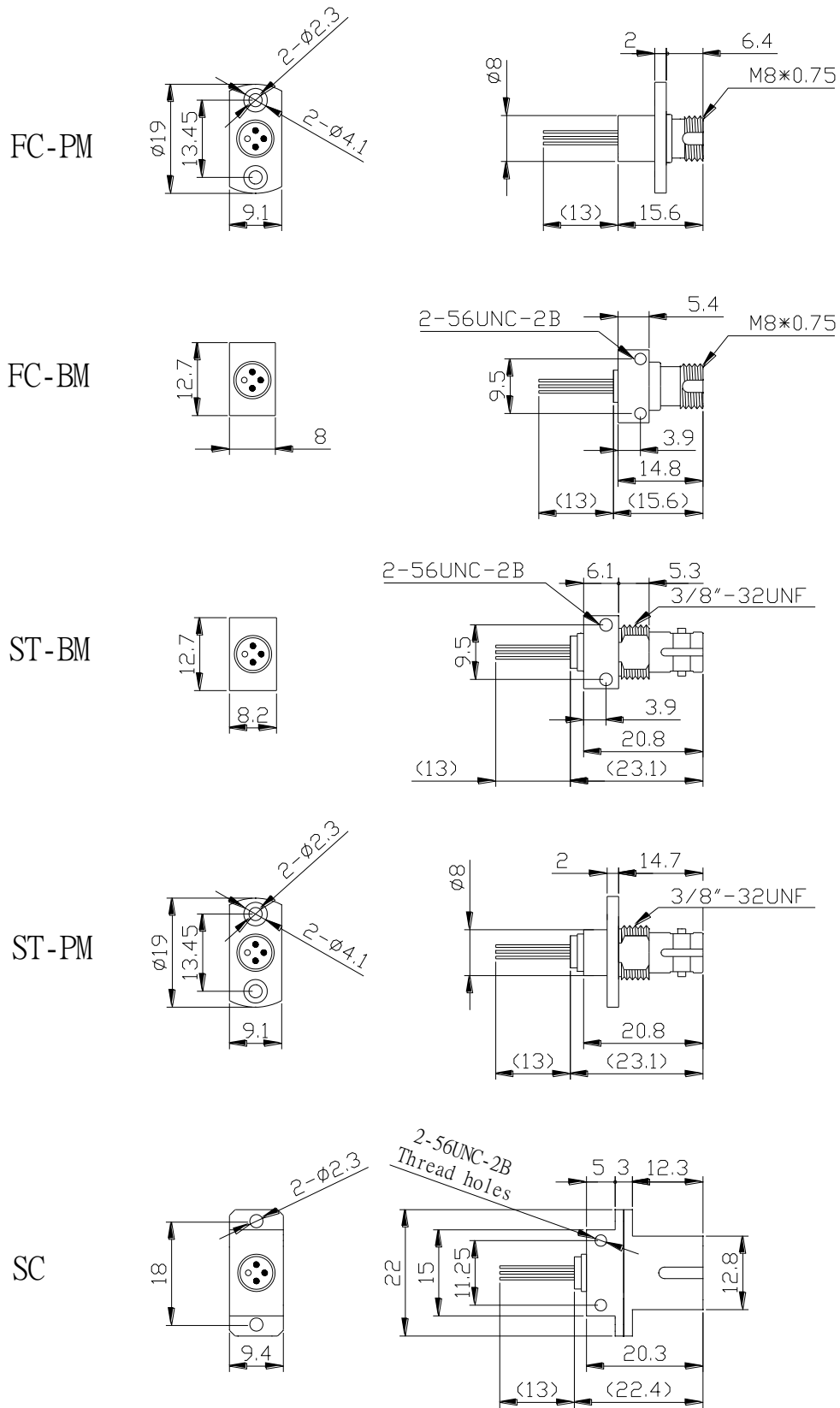
Pigtail Type



# 1550nm ELED Module

1310nm ELED Module

Receptacle Type



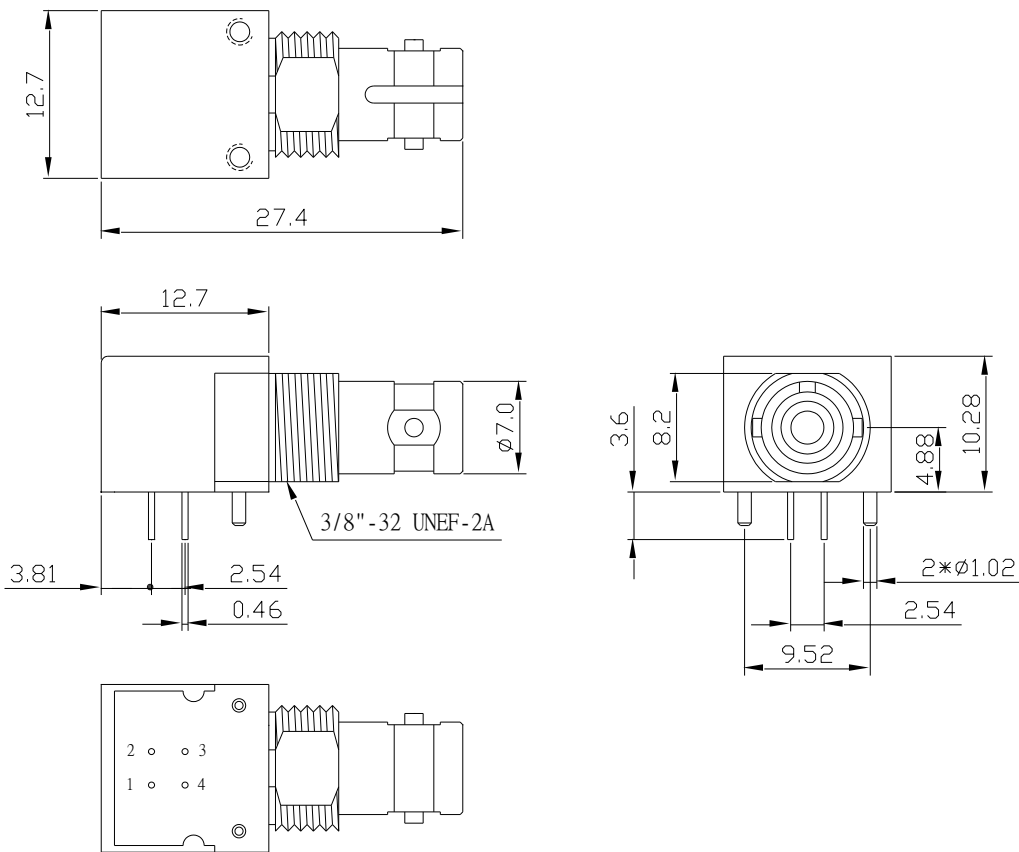
# 1550nm ELED Module

Sugar Cube

Pin Connections:

PIN No.	FUNCTION
1	ANODE
2	CATHODE
3	ANODE
4	ANODE

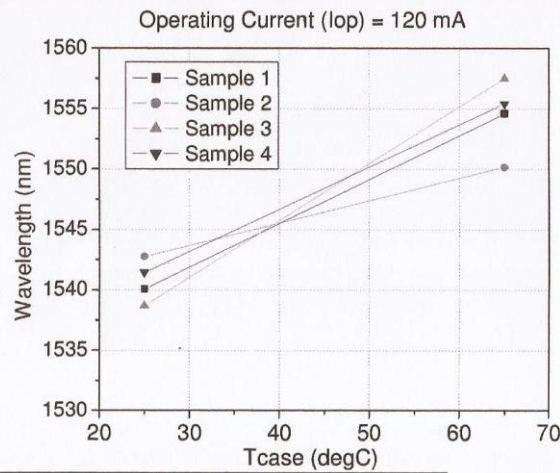
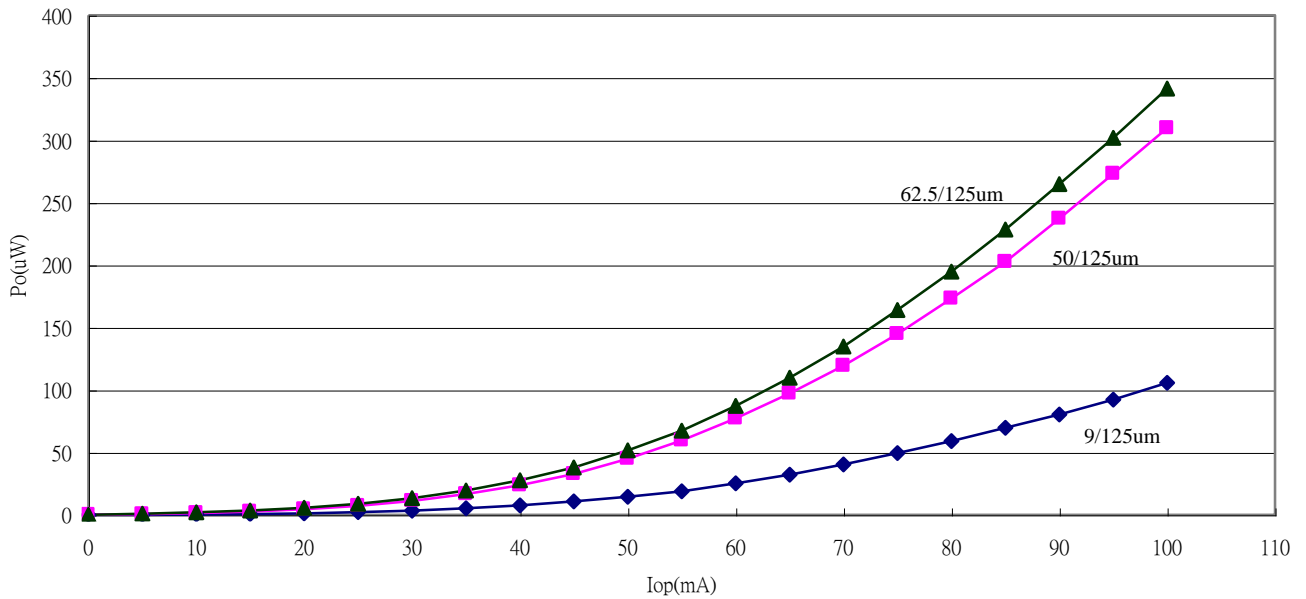
Dimension (ST Receptacle):



Units:mm

# 1550nm ELED Module

## 1550nm ELED Module Power-Iop Curve



Tcase [degC]	Peak wavelength [nm]			
	Sample 1	Sample 2	Sample 3	Sample 4
25	1540.08	1542.78	1538.73	1541.46
65	1554.59	1550.16	1557.52	1555.42
$\Delta\lambda / \Delta T$ [nm/degC]	0.363	0.185	0.470	0.349
$(\Delta\lambda / \lambda_{25degC}) / \Delta T$ [ppm/degC]	235.54	119.59	305.28	226.41

Mean ( $\Delta\lambda / \Delta T$ ) = 0.342 nm/degC  
 Mean  $((\Delta\lambda / \lambda_{25degC}) / \Delta T)$  = 221.71 ppm/degC

# 1550nm ELED Module

