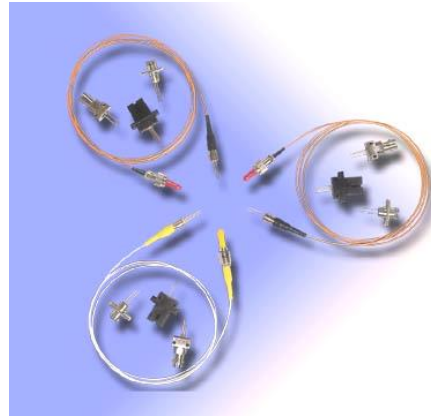


1300nm ELED Module

1300nm ELED Module

Features

- High coupled power
- Peak wavelength 1310 nm
- 3 dB bandwidth >40 nm
- Cut off frequency > 150 MHz
- Operating temperature range 0°C to 70°C
- Hermetically sealed TO package in pigtailed, receptacle housing with FC, ST or SC, or sugar cube with ST



Specifications (100mA forward current, 25 °C)

Parameter	Symbol	Min	Typical	Max	Units
Peak Wavelength	λ	1280	1310	1340	nm
Spectral width FWHM	$\Delta\lambda$	40	-	-	nm
Coupled power to 62.5 μm fiber	Po	400	-	-	μW
Coupled power to 50 μm fiber	Po	400	-	-	μW
Coupled power to 9 μm fiber	Po	200	-	-	μW
Forward voltage	V_F	-	-	2	V
Rise/fall time (10% to 90%)	tr/tf	-	-	3	ns
Cut off frequency (Iop=100 mA, 20mA p-p)	B	150	-	-	Mb/s

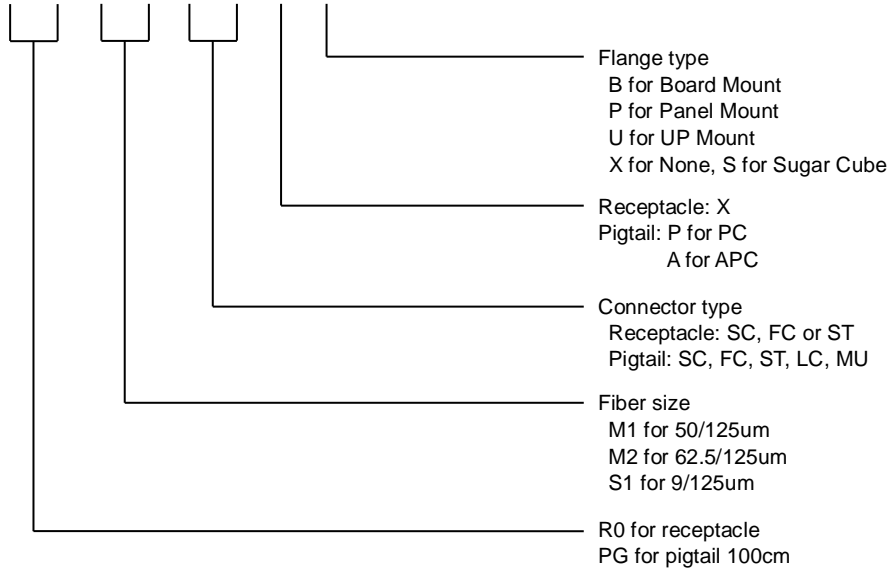
Absolute Maximum Ratings

Parameter	Symbol	Min.	Max.	Unit
Operating temperature	To	0	+70	°C
Storage temperature	T _{stg}	-40	+85	°C
Reverse voltage	V _R	-	2	V
Forward current	Iop	-	150	mA
Lead Soldering Temperature (10sec)	T _L	-	260	°C

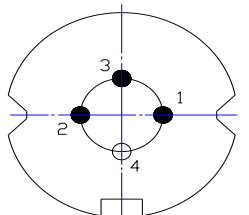
1300nm ELED Module

Ordering Information

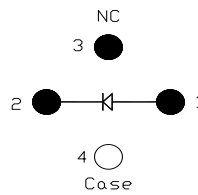
SD13□□□□□□□□-4



Pin Connections



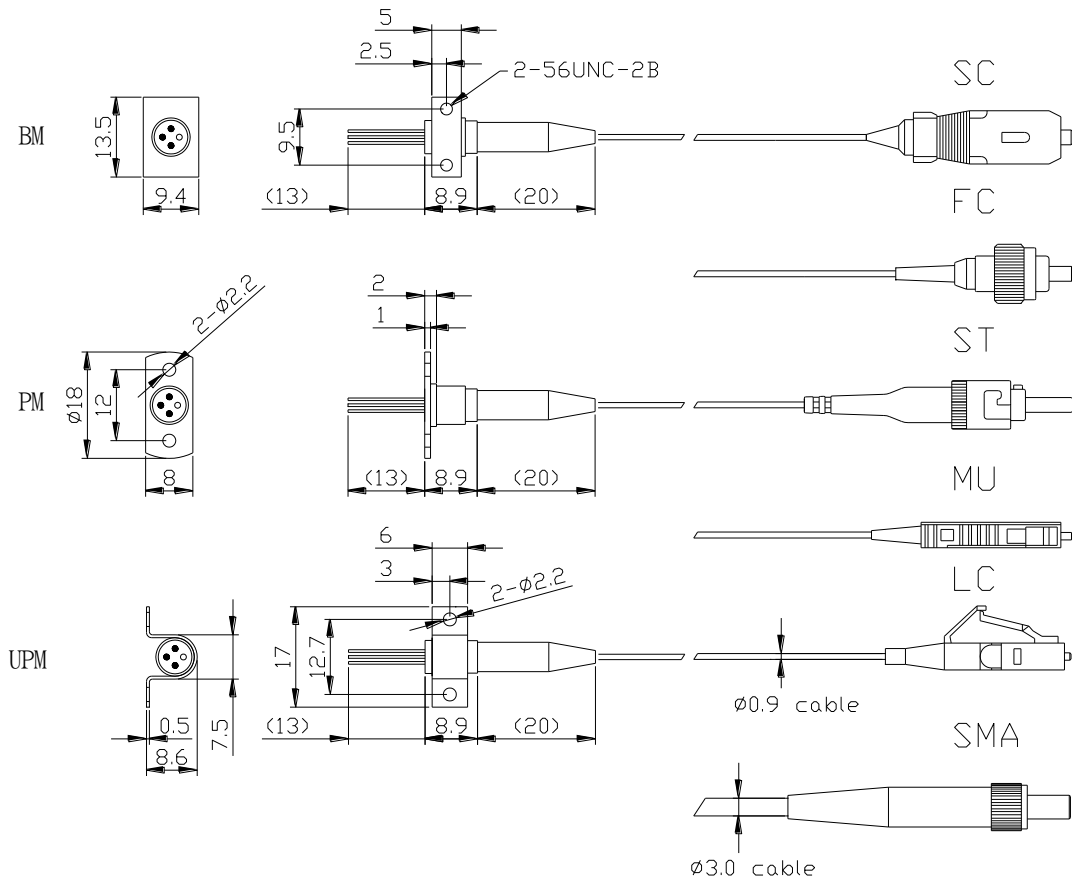
BOTTOM VIEW



1300nm ELED Module

Dimension

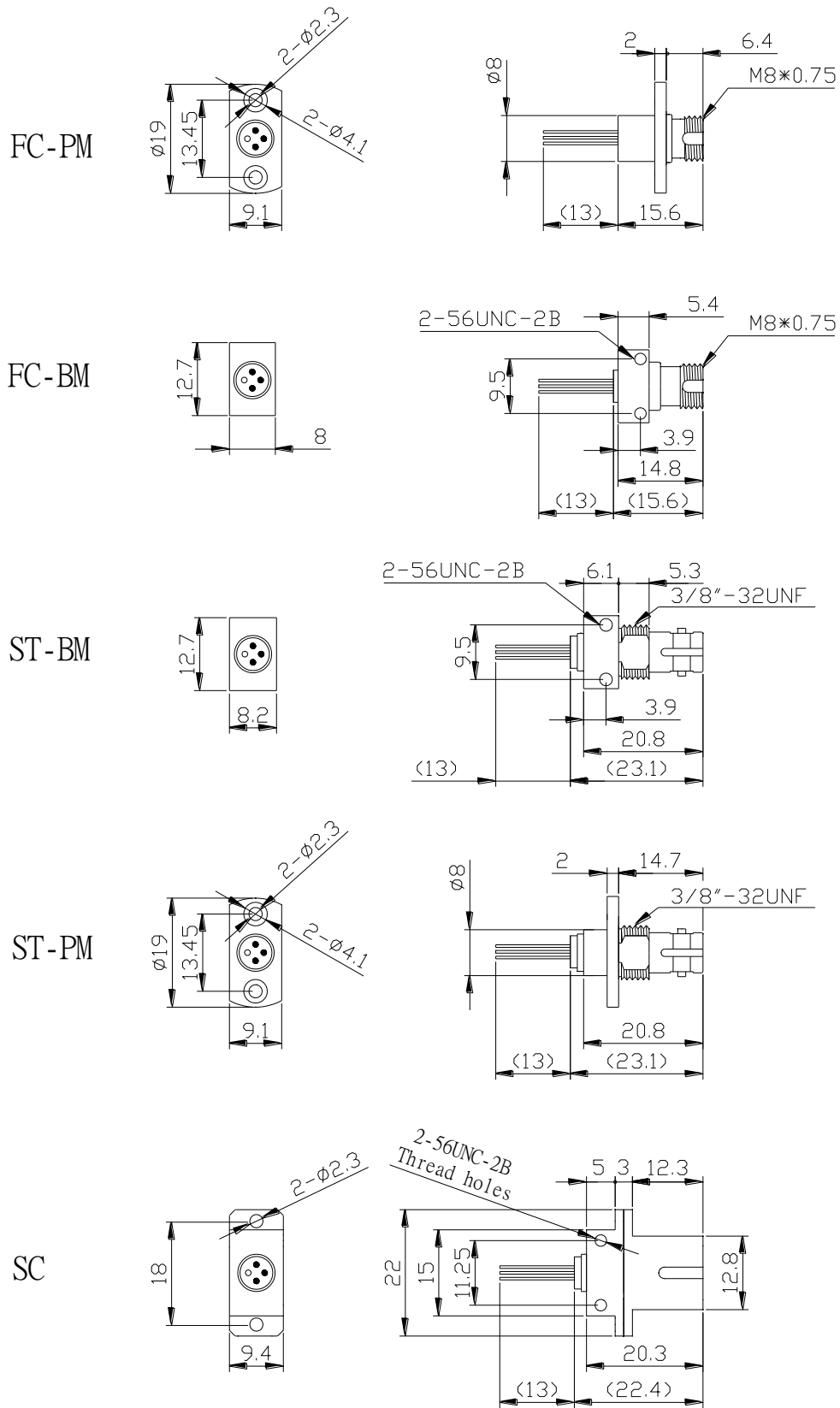
Pigtail Type



1300nm ELED Module

1310nm ELED Module

Receptacle Type



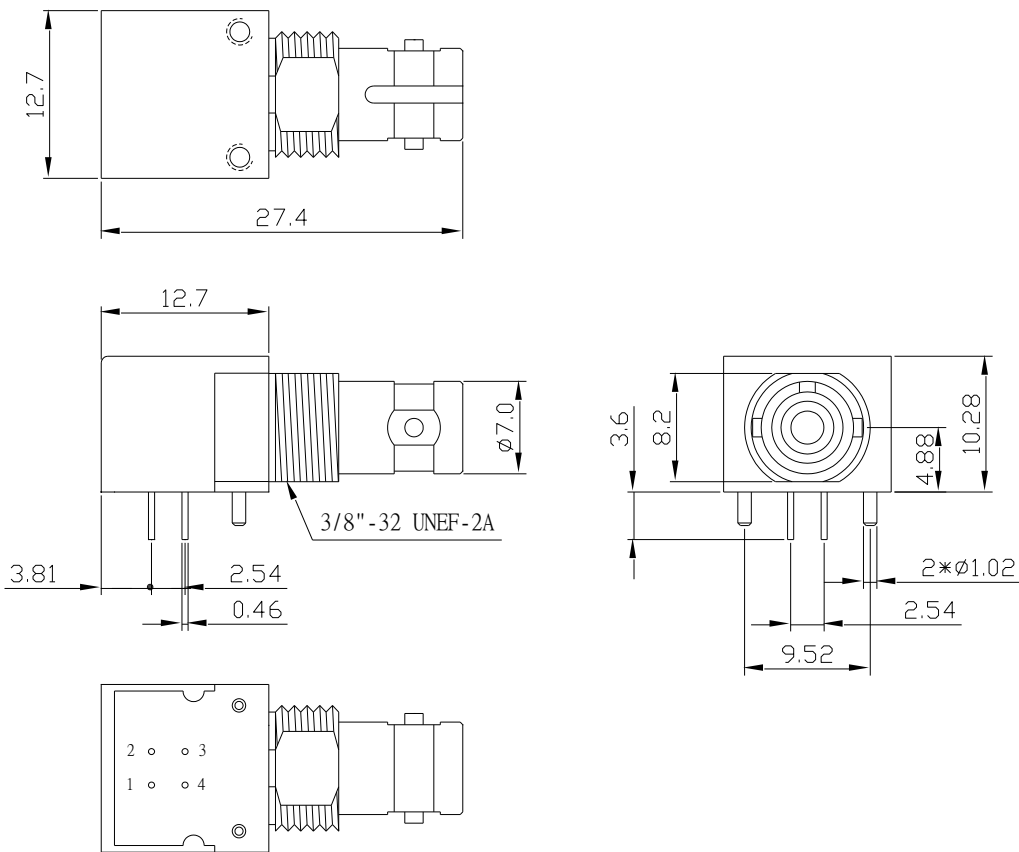
1300nm ELED Module

Sugar Cube

Pin Connections:

PIN No.	FUNCTION
1	ANODE
2	CATHODE
3	ANODE
4	ANODE

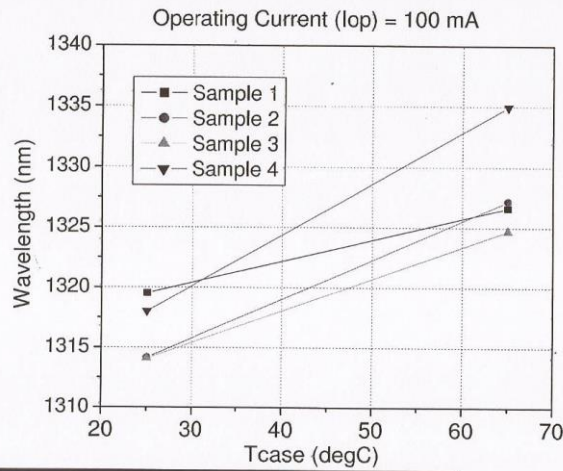
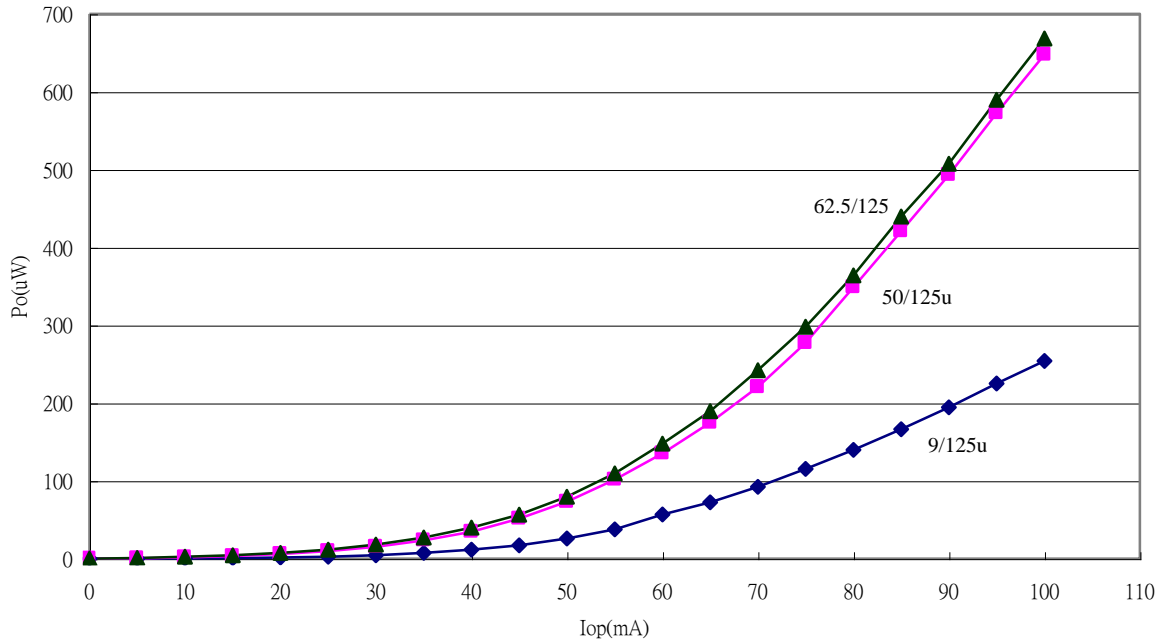
Dimension (ST Receptacle):



Units:mm

1300nm ELED Module

1300nm ELED Module Power-Iop Curve



Tcase [degC]	Peak wavelength [nm]			
	Sample 1	Sample 2	Sample 3	Sample 4
25	1319.55	1314.15	1314.08	1318.03
65	1326.62	1327.19	1324.73	1334.98
$\Delta\lambda/\Delta T$ [nm/degC]	0.177	0.326	0.266	0.424
$(\Delta\lambda/\lambda_{25degC})/\Delta T$ [ppm/degC]	133.95	248.07	202.61	321.50

Mean $(\Delta\lambda/\Delta T) = 0.298$ nm/degC
 Mean $((\Delta\lambda/\lambda_{25degC})/\Delta T) = 226.53$ ppm/degC

1300nm ELED Module

