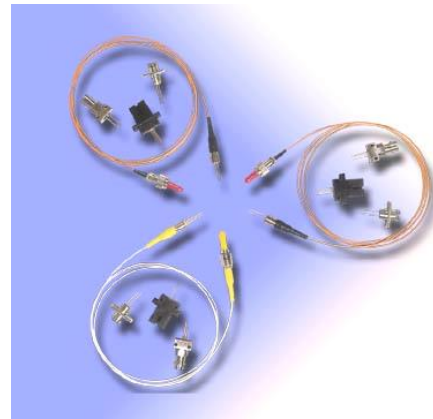


850nm VCSEL MM Module

Features

- High coupled power
- Peak wavelength 850nm
- Low threshold current 2mA
- High speed t_r , $t_r < 0.3ns$
- Operating temperature range 0°C to 70°C
- Hermetically sealed To -46 package in pigtailed or receptacle housing with FC, ST or SC connector



850nm VCSEL MM Module

Applications

- Gigabit Ethernet

Specifications (T=25 °C)

Parameter	Symbol	Test Conditions	Min	Typical	Max	Units
Peak wavelength	λ	$I_{op}=12mA$	830	850	860	nm
Spectral width FWHN	$\Delta\lambda$	P_0	-	-	0.85	nm
Threshold current	I_{th}	-	-	2	5	mA
Threshold current temperature variation (0 to 70°C)	-	-	-1.5	-	1.5	mA
Coupled power (62.5/125 μ m fiber)	P_0					
-1		12mA, 25°C	0.5	-	-	mW
-2			1.0	-	-	mW
Coupled power (50/125 μ m fiber)	P_0					
-1		12mA, 25°C	0.4	-	-	mW
-2			0.8	-	-	mW
Slope efficiency temperature dependence	SE	P_0	-0.6	-	-	%/°C
Monitor Current (PD)	I_m	P_0	50	-	-	μ A
PD Capacitance	C_{PD}	$V_R=3V @ 1MHz$	-	6	10	pF
Forward voltage	V_f	P_0	1.7	1.9	2.2	V
Series Resistance	R_s	P_0	30	-	60	Ω

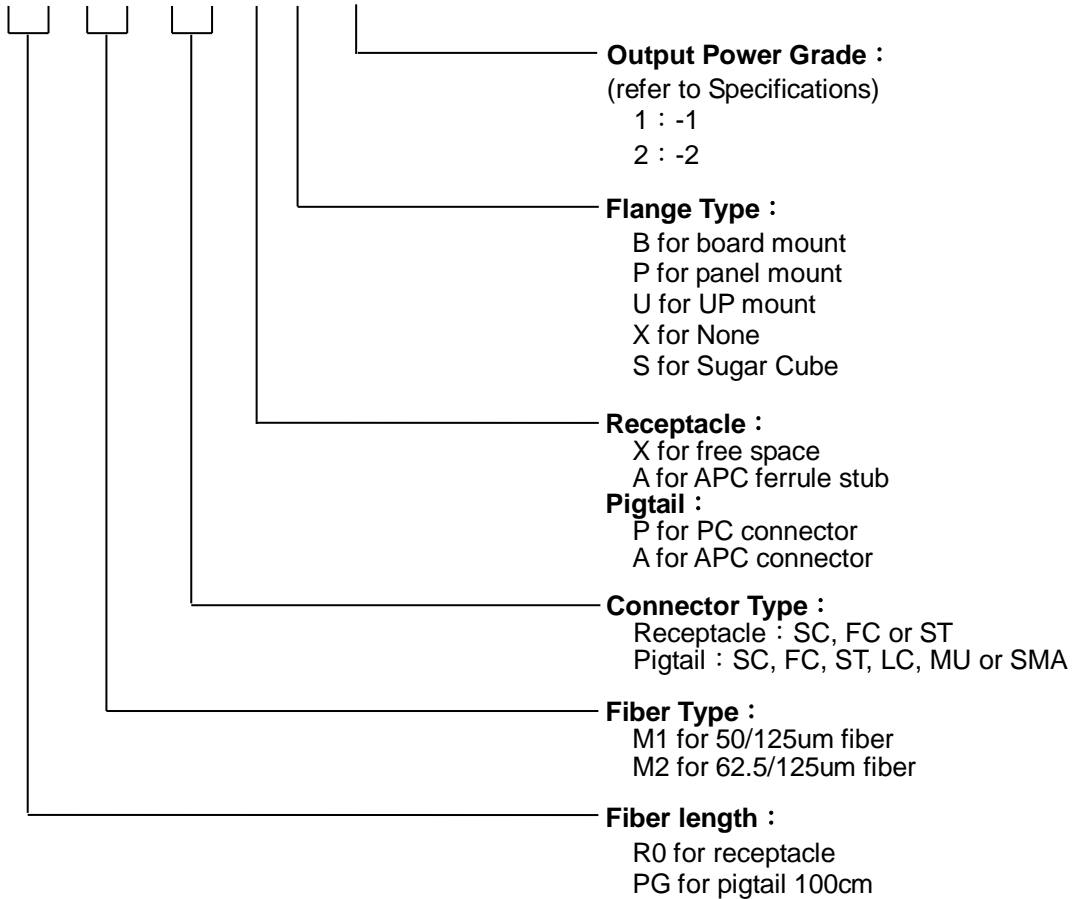
Absolute Maximum Ratings

Parameter	Symbol	Min.	Max.	Unit
Continuous forward current (LD)	I_{op}	-	15	mA
Continuous reverse voltage (LD)	V_{RL}	-	5	V
Operating temperature	T_o	0	85	°C
Storage temperature	T_{stg}	-40	100	°C
Lead soldering temperature (10 sec)	T_L	-	260	°C

850nm VCSEL MM Module

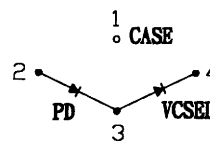
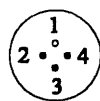
Ordering Information

VD85□□M□□□□□-□



Pin Connections

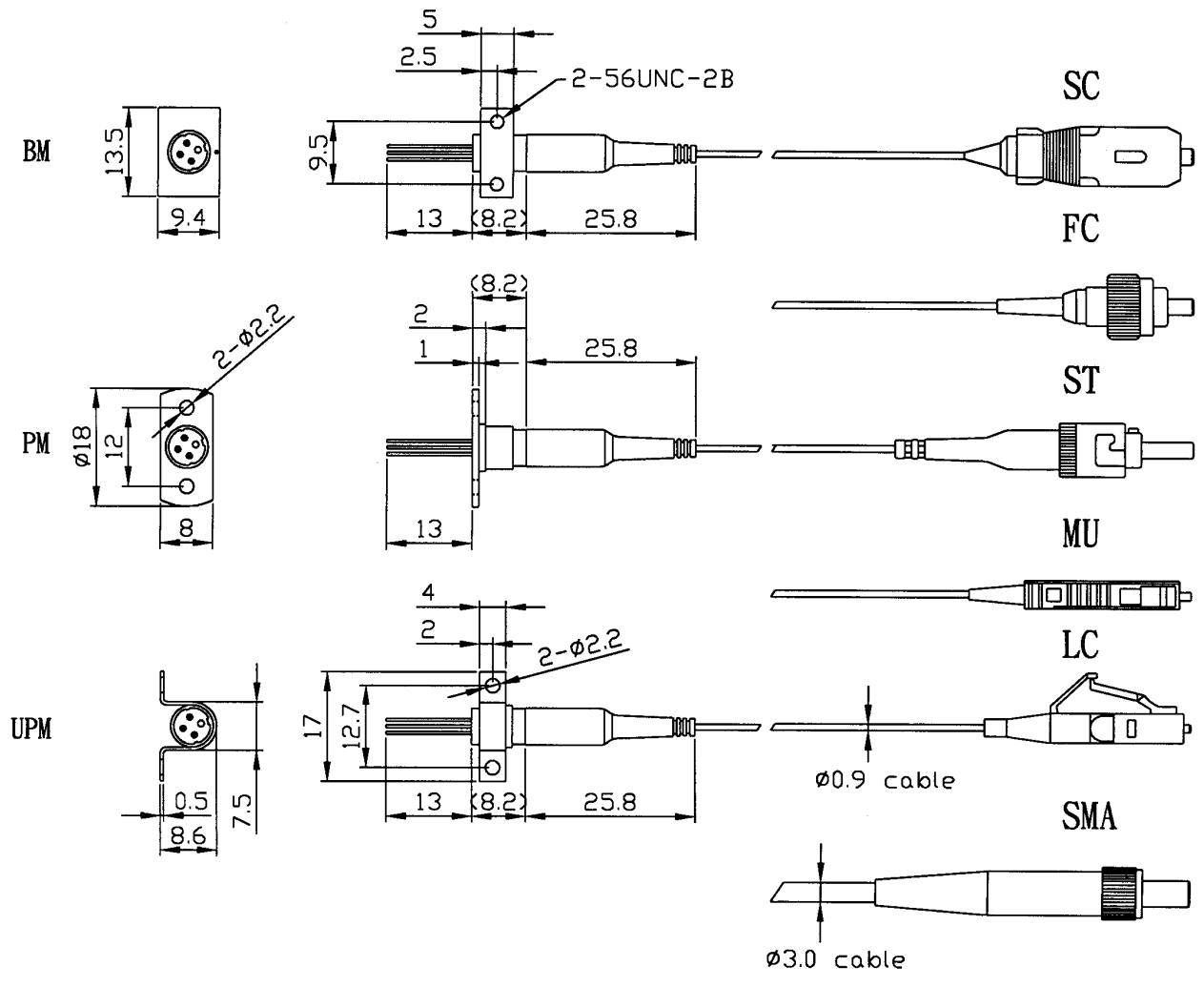
BOTTOM VIEW



850nm VCSEL MM Module

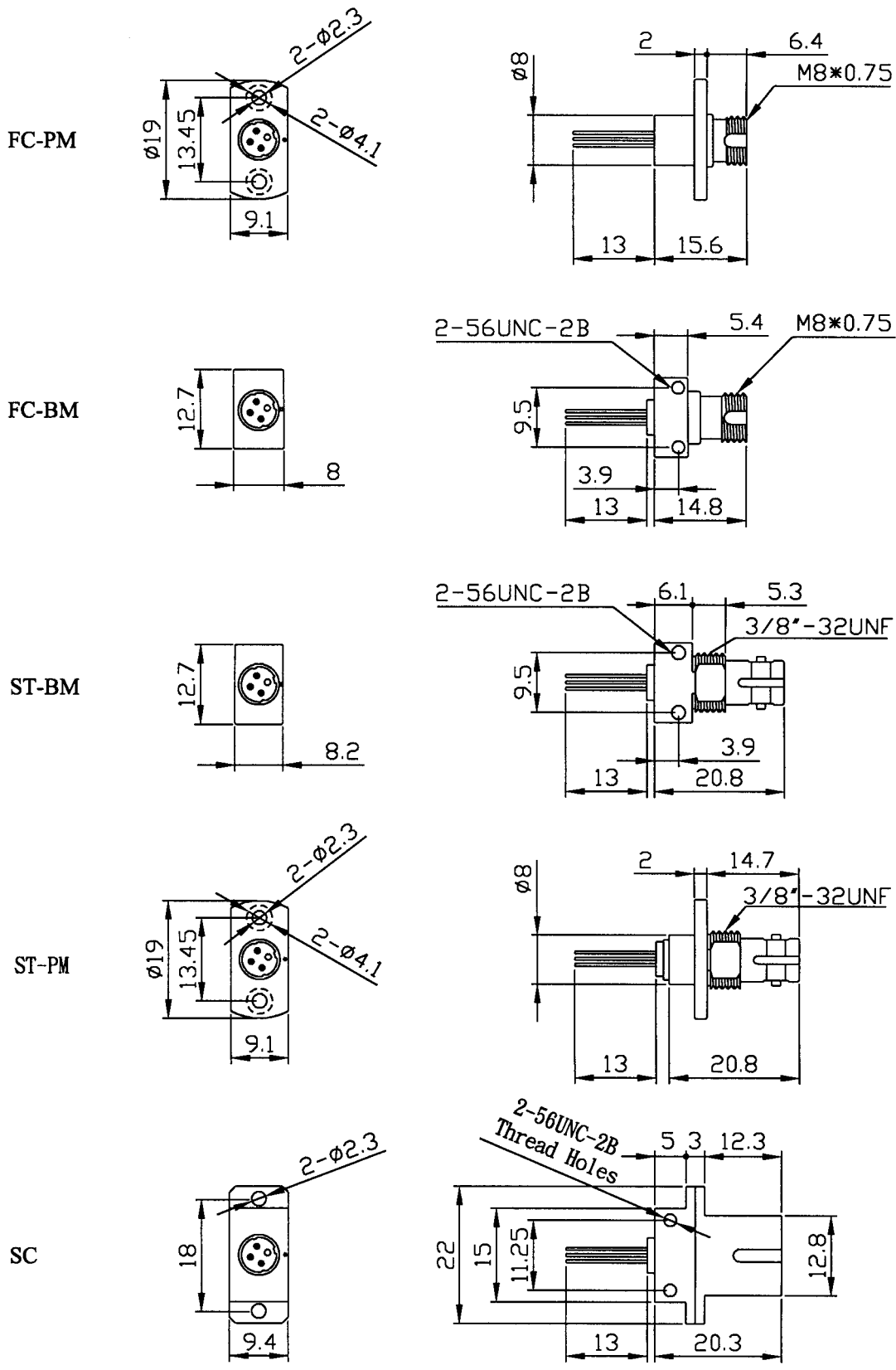
Dimension

Pigtail Type



850nm VCSEL MM Module

Receptacle Type

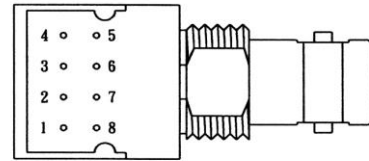
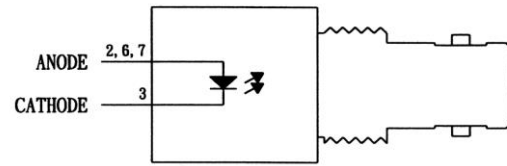


850nm VCSEL MM Module

Sugar Cube

Pin Connections (Type B)

PIN No.	FUNCTION
1	NC
2	Anode
3	Cathode
4	NC
5	NC
6	Anode
7	Anode
8	NC



BOTTOM VIEW

Dimension (ST Receptacle) Unit : mm

