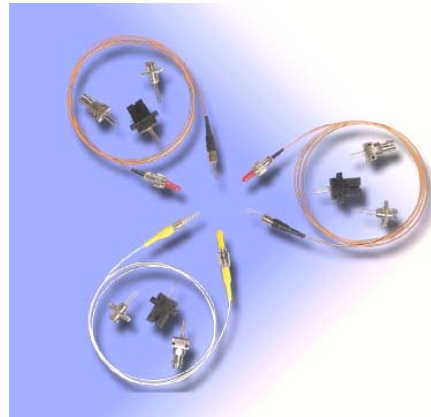


# 1550nm FP Laser Diode SM Module

1550nm FP Laser Diode SM Module

## Features

- Center wavelength 1550nm
- Low threshold current
- High speed  $t_r/t_f < 0.7\text{ns}$
- Built-in InGaAs monitor detector
- Four-lead package
- Wide operating temperature  $-40^\circ\text{C}$  to  $85^\circ\text{C}$
- Hermetically sealed TO-18 package in pigtailed or receptacle housing with FC, ST or SC connector



## Applications

- Fiber In The Loop
- ATM, SONET/SDH
- Motorway and railway networks
- Intra and interoffice links
- Subscriber loops
- Trunk supervision
- Test instruments

## Specifications

### Optical And Electrical Characteristics (T=25+/-3°C unless specified otherwise)

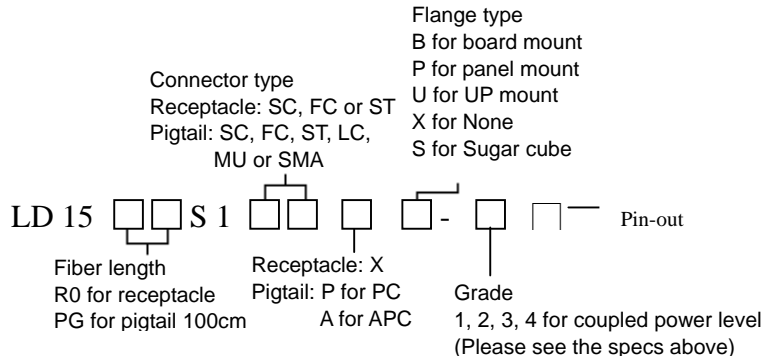
Parameter	Symbol	Test Conditions	Min	Typical	Max	Units
Center Wavelength	$\lambda$	$25^\circ\text{C}$ $-40$ to $85^\circ\text{C}$	1530 1500	1550 -	1570 1600	nm
Spectral Width	$\Delta\lambda$	$P_0$ (RMS, -20dB)	-	1	2.5	nm
Threshold Current	$I_{th}$	$25^\circ\text{C}$ $-40$ to $85^\circ\text{C}$		10 -	15 50	mA
Operating Voltage	$V_{op}$	$P_0$	-	1.1	1.5	V
Rise/Fall Time	$t_r / t_f$	10-90%	-	0.3	0.7	ns
Optical Output Power	$P_0$	$I_{th}+30\text{mA}$				
-1			0.1	0.25	-	mW
-2			0.4	0.55	-	mW
-3			0.7	0.9	-	mW
-4			1.2	-	-	mW
Differential Efficiency		$P_0$				
-1	-		0.01	-	-	mW/mA
-2	-		0.02	-	-	mW/mA
-3	-		0.03	-	-	mW/mA
-4	-		0.04	-	-	mW/mA
Monitor Current (PD)	$I_m$	$P_0, V_{RD}=1\text{V}$	0.2	1.1	-	mA
Dark Current (PD)	$I_d$	$V_{RD}=10\text{V}$	-	-	0.1	$\mu\text{A}$
Tracking Error	$E_t$	$-40$ to $85^\circ\text{C}$	-	$\pm 1.0$	-	dB

# 1550nm FP Laser Diode SM Module

## Absolute Maximum Ratings (T=25 °C)

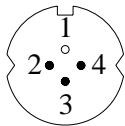
Parameter	Symbol	Min.	Max.	Unit
Forward Current (LD)	$I_{op}$	-	85	mA
Reverse Voltage (LD)	$V_{RL}$	-	2	V
Forward Current (PD)	$I_{FD}$	-	2	mA
Reverse Voltage (PD)	$V_{RD}$	-	20	V
Operating Temperature	$T_O$	-40	+85	°C
Storage Temperature	$T_{stg}$	-40	+125	°C
Lead Soldering Temperature (10 sec)	$T_L$	-	260	°C

## Ordering Information



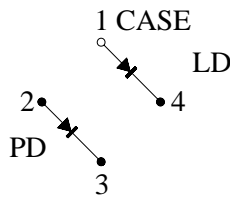
## Pin Connections

### BOTTOM VIEW

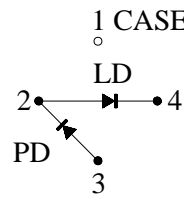


UNIT : MM

### C TYPE PIN CONNECTIONS



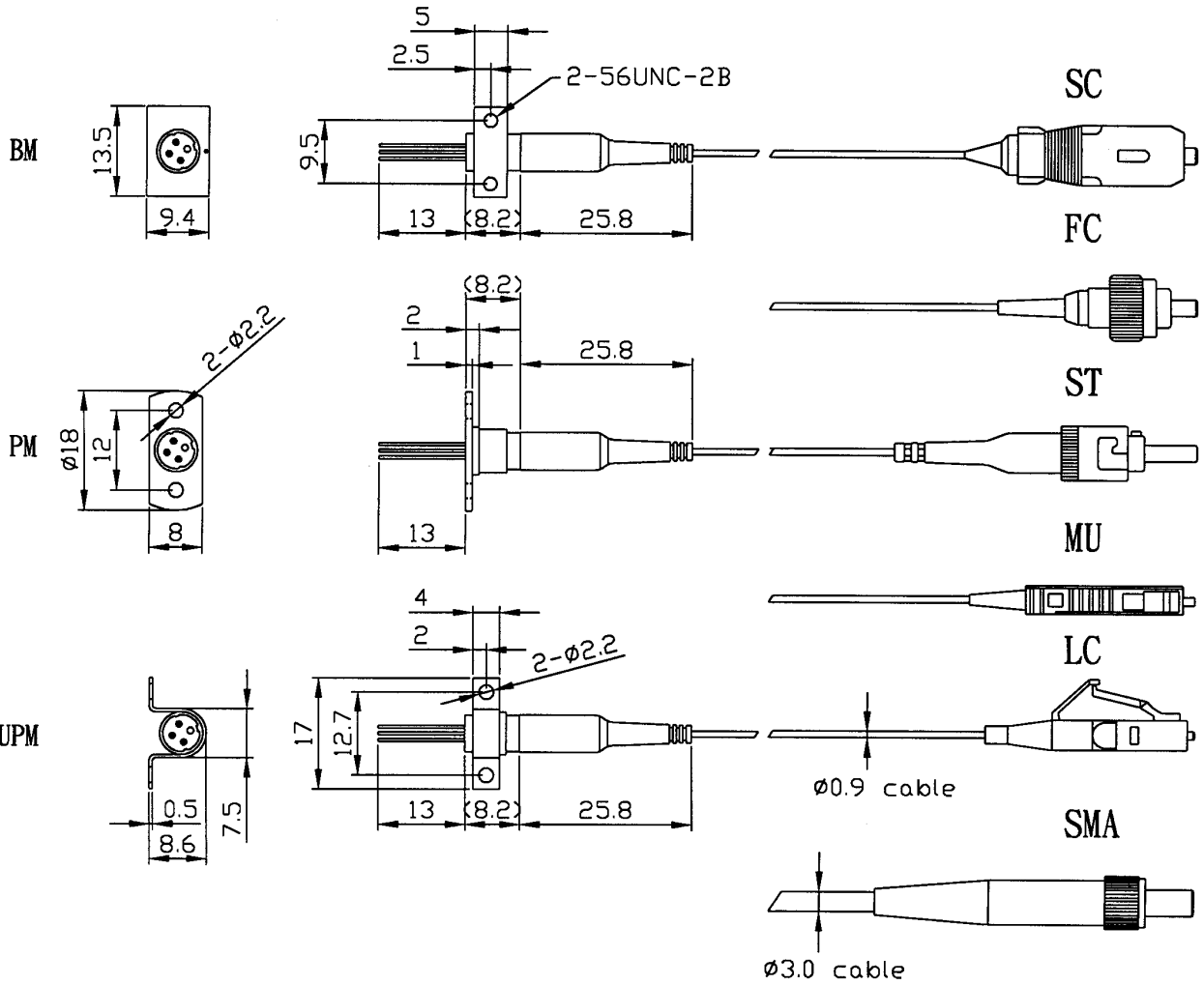
### D TYPE PIN CONNECTIONS



# 1550nm FP Laser Diode SM Module

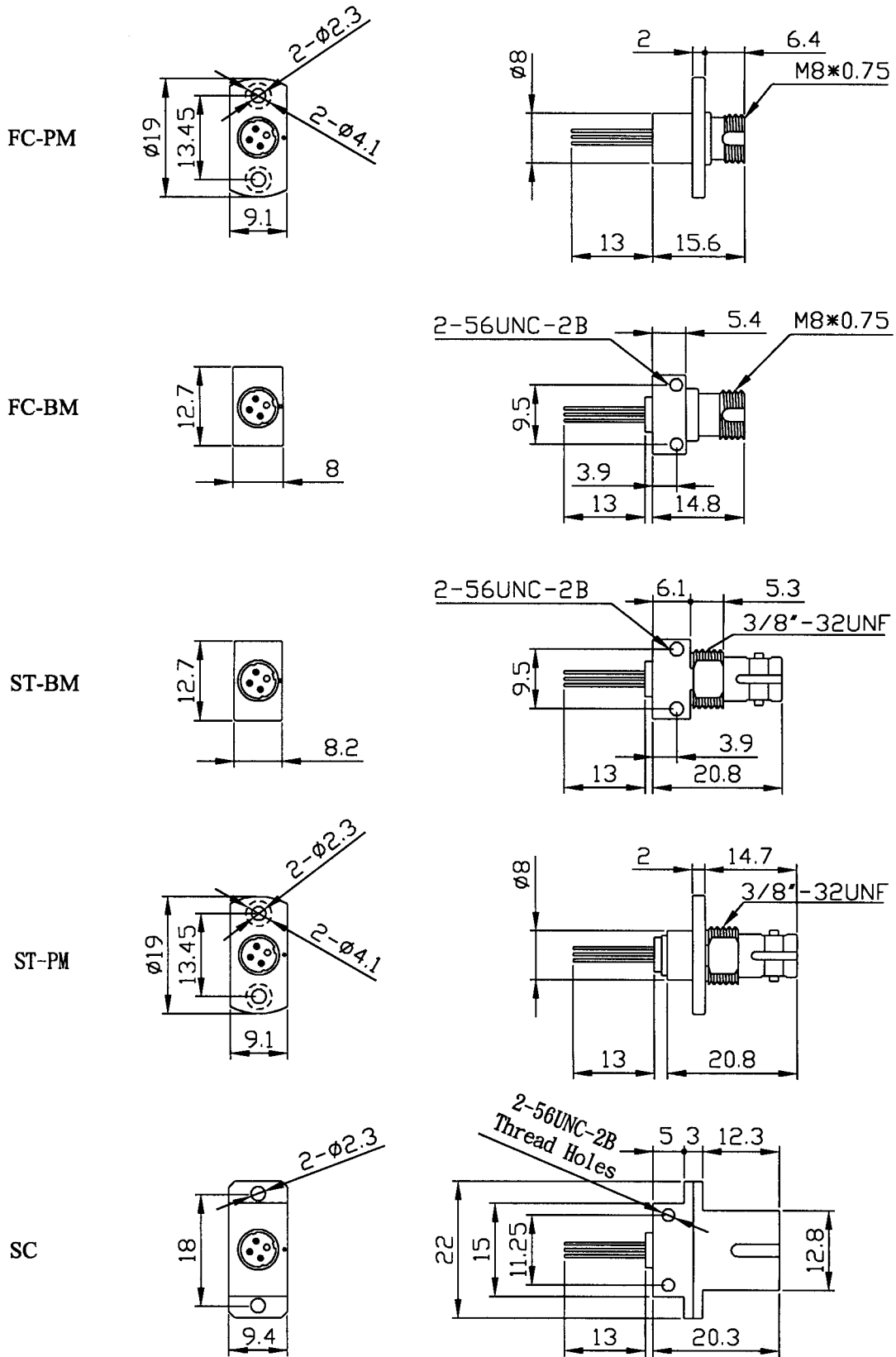
**Dimension Unit MM**

Pigtail Type



# 1550nm FP Laser Diode SM Module

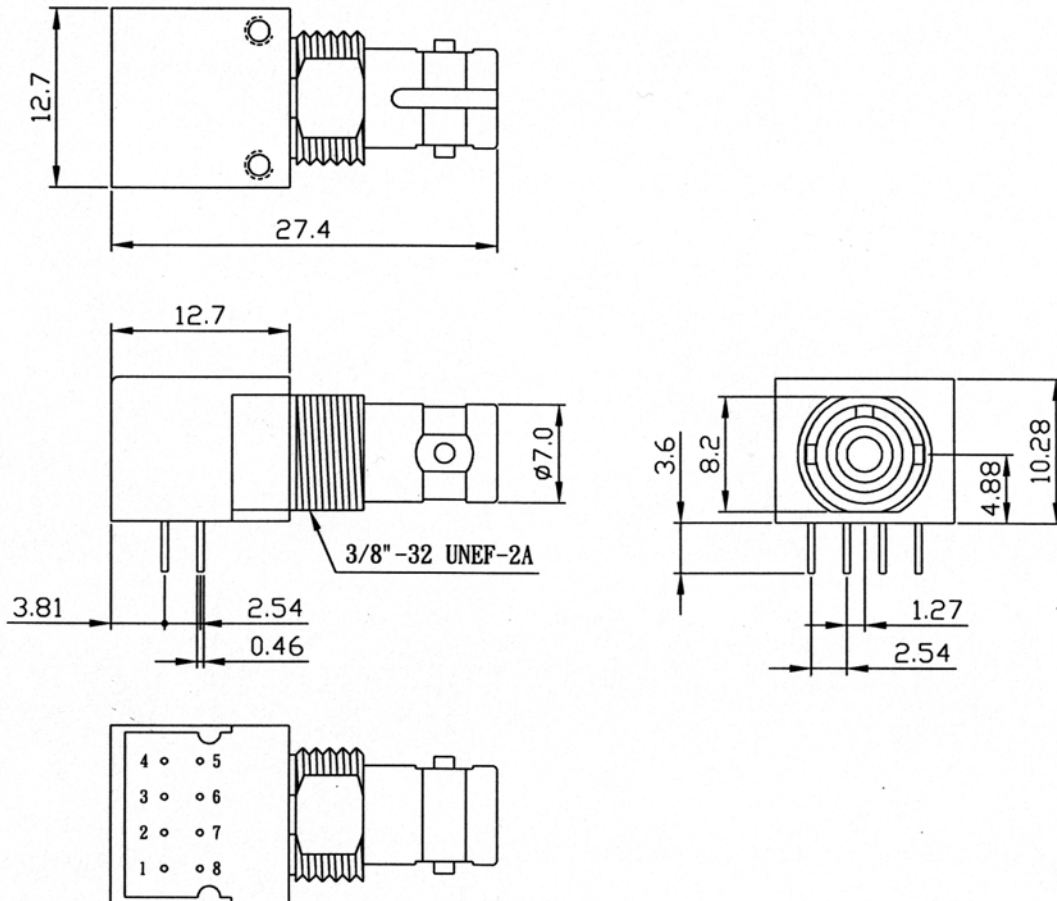
Receptacle Type



# 1550nm FP Laser Diode SM Module

## Sugar Cube

Dimension (ST Receptacle) Unit mm



### Pin Connections (Type A)

PIN No.	FUNCTION
1	NC
2	ANODE
3	CATHODE
4	NC
5	NC
6	ANODE or NC
7	ANODE or NC
8	NC

### Pin Connections (Type B)

PIN No.	FUNCTION
1	NC
2	NC
3	LD Cathode (LD-)
4	NC
5	NC
6	LD Anode (LD+), PD-
7	Monitor PD Anode (PD+)
8	NC

# 1550nm FP Laser Diode SM Module

## 1550nm FP LD Fiber-coupled Power vs. Drive Current

