

Single Mode 1310/1550nm Bi-directional Single Fiber Module with PD



Laser Diode (T= 25°C)

| Parameter | Symbol | Test Conditions | Min | Typical | Max | Units |
|----------------------|-----------------|--|------|-----------|-------|-------|
| Data Rate | | | - | | 1.25G | b/s |
| Center Wavelength | λ | P_0 -40 to 85°C | 1260 | 1310 | 1360 | nm |
| | | | 1491 | 1550 | 1606 | |
| Spectral Width | $\Delta\lambda$ | P_0 , (RMS, -20dB) | - | 1 | 2 | nm |
| | | | - | 1 | 3 | |
| Threshold Current | I_{th} | P_0 , 25°C | | 5 | 15 | mA |
| | | | | 10 | 15 | |
| Operating Voltage | V_{op} | P_0 | - | 1.1 | 1.5 | V |
| | | | - | 1.1 | 1.5 | |
| Rise/fall Time | t_r / t_f | 10-90% | - | 0.3 | 0.7 | ns |
| | | | - | 0.3 | 0.7 | |
| Optical Output Power | P_0 | 1310nm, $I_{th}+20mA$ 1550nm, $I_{th}+30mA$ | | | | |
| -1 | | | 0.1 | - | 0.4 | mW |
| -2 | | | 0.4 | - | 0.7 | mW |
| -3 | | | 0.7 | - | 1.2 | mW |
| Monitor Current (PD) | I_m | $P_0, V_{RD}=1V$ | 0.1 | 0.5 | - | mA |
| Dark Current (PD) | I_d | $V_{RD}=10V$ | - | - | 0.1 | uA |
| Tracking Error | E_t | -40 to 85°C | - | ± 1.0 | - | dB |

PIN PD (T=25°C, V= 4.75 to 5.25V DC or 3.1 to 3.5V DC)

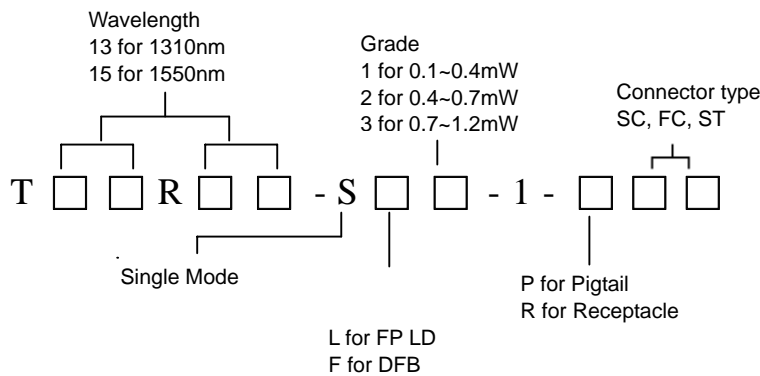
| Parameter | Symbol | Min. | Typical | Max. | Unit |
|----------------------------|--------|------|---------|-------|------|
| Data Rate | B | 100M | - | 1.25G | b/s |
| Optical Input Responsivity | R | 0.7 | | | A/W. |

Single Mode 1310/1550nm Single Fiber Module (PD)

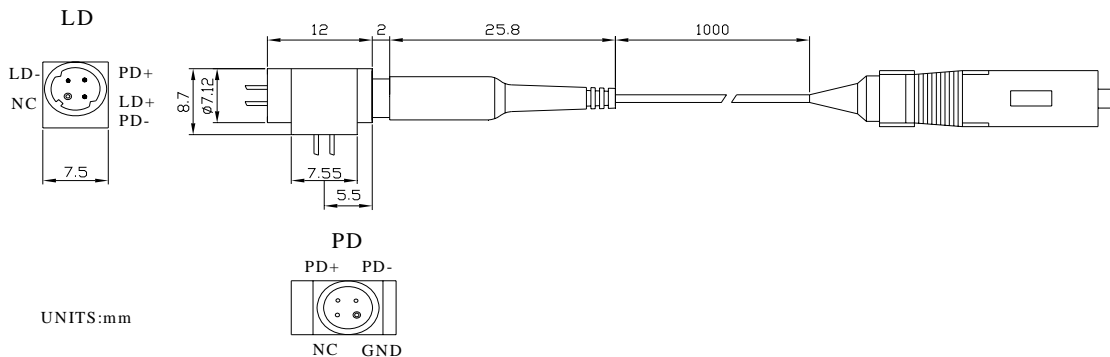
Absolute Maximum Ratings (T=25°C)

| Parameter | Symbol | Min. | Max. | Unit |
|-------------------------------------|-----------|------|------|------|
| Forward Current (LD) | I_{op} | - | 85 | mA |
| Reverse Voltage (LD) | V_{RL} | - | 2 | V |
| Forward Current (PD) | I_{FD} | - | 2 | mA |
| Reverse Voltage (PD) | V_{RD} | - | 20 | V |
| Operating Temperature | T_O | -40 | 85 | °C |
| Storage Temperature | T_{stg} | -40 | 125 | °C |
| Lead Soldering Temperature (10 sec) | T_L | - | 260 | °C |

Ordering Information



Pigtailed :



Single Mode 1310/1550nm Bi-directional Single Fiber Module with PD

Receptacle (SC) :

