

Multimode 850/1300nm Dual LED Single Fiber Module



Multimode 850/1300nm Dual LED Single Fiber Module

Specifications (T= 25°C)

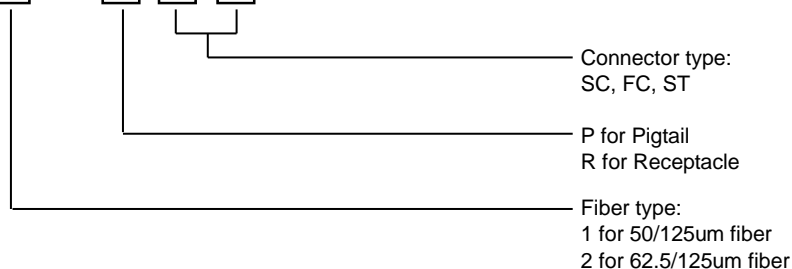
Parameter	Symbol	Test Conditions	Min	Typical	Max	Units
TX 1300 LED						
Central Wavelength	λ	P ₀ , 25°C	1260	1300	1350	nm
Spectral width FWHM	$\Delta\lambda$	P ₀ , 25°C	-	140	-	nm
Coupled power to 62.5 μ m fiber	P ₀	100mA, 25°C	22	-	-	μ W
Coupled power to 50 μ m fiber		100mA, 25°C	11			μ W
Forward voltage	V _F	P ₀ , 25°C	-	1.3	-	V
Rise/fall time	tr/tf	10% to 90%	-	-	3	ns
Data Rate	B		-	-	200	Mb/s
TX 850nm LED						
Central Wavelength	λ	P ₀ , 25°C	820	850	880	nm
Spectral Width FWHM	$\Delta\lambda$	P ₀ , 25°C	-	50	-	nm
Coupled power to 62.5 μ m fiber	P ₀	100mA, 25°C	30	-	-	μ W
Coupled power to 50 μ m fiber		100mA, 25°C	15			μ W
Forward voltage	V _F	P ₀ , 25°C	-	1.8		V
Rise/fall time	tr/tf	10% to 90%	-	-	7	ns
Data Rate			-	-	70	Mb/s

Absolute Maximum Ratings (T=25°C)

Parameter	Symbol	Min.	Max.	Unit
Forward current (continuous)	I _{op}	-	100	mA
Reverse Voltage	V _{RL}	-	2	V
Lead Soldering Temperature (10 sec)	T _L	-	260	°C
Operating temperature	T _o	0	+70	°C
Storage temperature	T _s	-40	+85	°C

Ordering Information

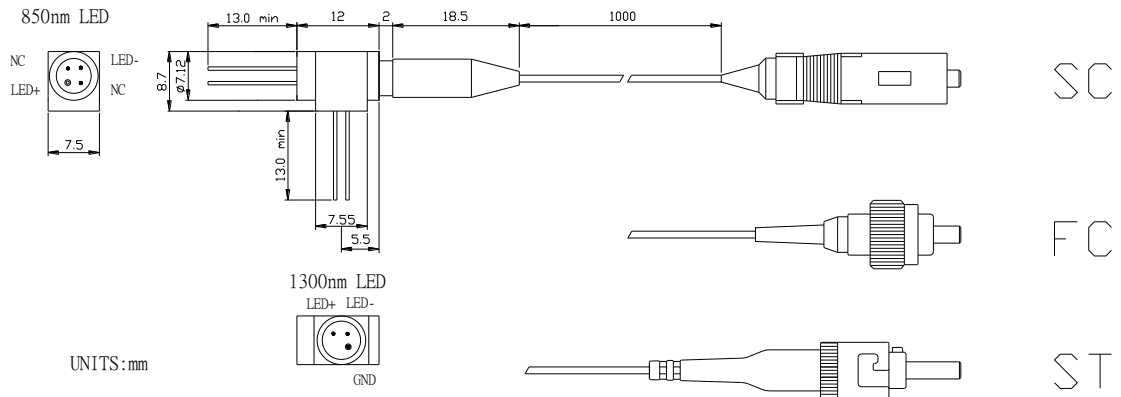
T85T13-M S1 - -A



Multimode 850/1300nm Dual LED Single Fiber Module

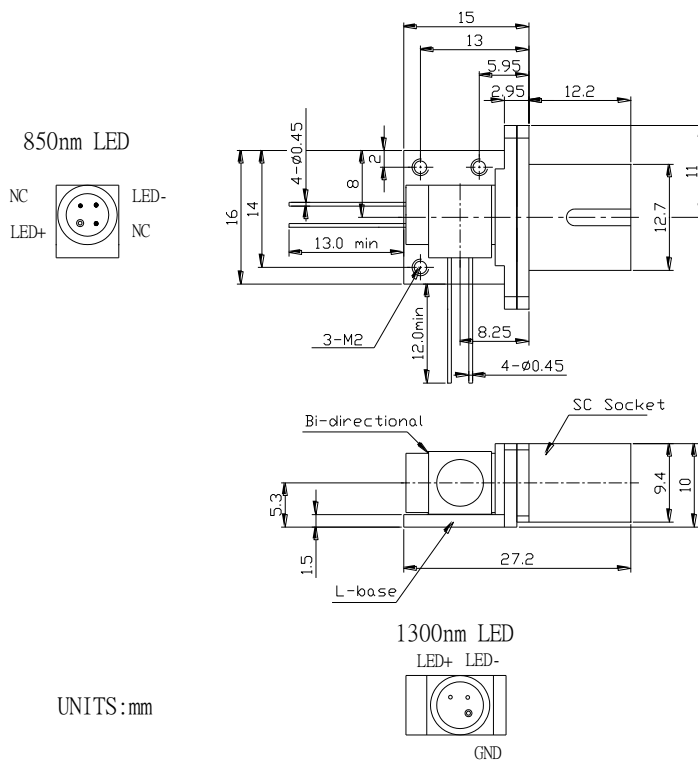
Outline Dimension :

Pigtailed :



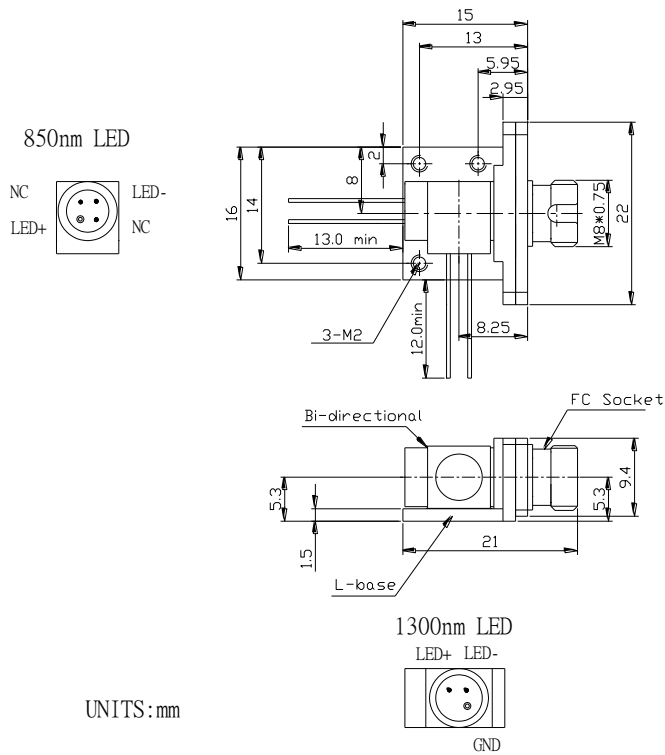
Receptacle :

SC



Multimode 850/1300nm Dual LED Single Fiber Module

FC



ST

