

Single Mode 1310-1550nm Dual LD Single Fiber Module



Single Mode 1310-1550nm Dual LD Single Fiber Module

Laser Diode (T= 25°C)

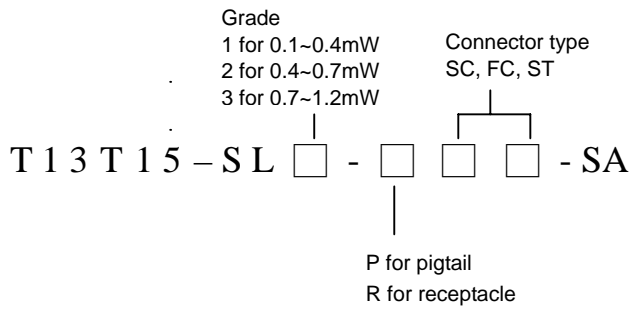
Parameter	Symbol	Test Conditions	Min	Typical	Max	Units	
Data Rate			1M		1.25G	b/s	
Center Wavelength	λ	$P_0, 25^\circ\text{C}$	1290	1310	1330	nm	
			1520	1550	1580		
		$P_0, -40 \text{ to } 85^\circ\text{C}$	1260	1310	1360		
			1491	1550	1606		
Spectral Width	$\Delta\lambda$	$P_0, (\text{RMS}, -20\text{dB})$	1310nm	1	2	nm	
			1550nm	1.5	3		
Threshold Current		I_{th}	$P_0, 25^\circ\text{C}$	1310nm	5	15	mA
				1550nm	10	20	
Operating Voltage	V_{op}	P_0	-	1.1	1.5	V	
Rise/fall Time	t_r / t_f	10-90%	-	0.3	0.7	ns	
Optical Output Power		P_0	$I_{op}=40\text{mA}$				
				$I_{op}=50\text{mA}$			
-1			0.1	-	0.4	mW	
-2			0.4	-	0.7	mW	
-3			0.7	-	1.2	mW	
Monitor Current (PD)	I_m	$P_0, V_{RD}=1\text{V}$	0.1	0.5	1.0	mA	
Dark Current (PD)	I_d	$V_{RD}=10\text{V}$	-	-	0.1	μA	
Output Power Stability		$P_0, 6 \text{ min}$	-	-	± 0.1	dB	
Tracking Error	E_t	-40 to 85°C	-	-	± 1.0	dB	

Absolute Maximum Ratings (T=25°C)

Parameter	Symbol	Min.	Max.	Unit
Forward Current (LD)	I_{op}	-	85	mA
Reverse Voltage (LD)	V_{RL}	-	2	V
Operating Temperature	T_O	-40	85	°C
Storage Temperature	T_{stg}	-40	125	°C
Lead Soldering Temperature (10 sec)	T_L	-	260	°C

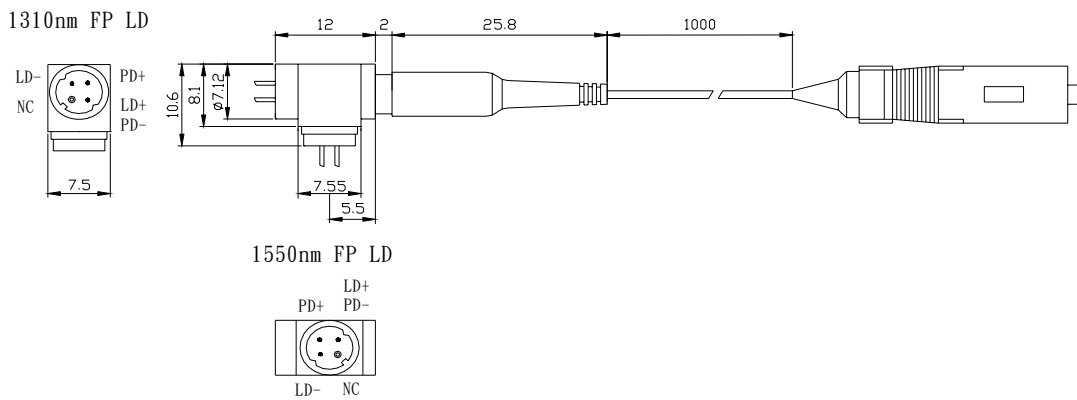
Single Mode 1310-1550nm Dual LD Single Fiber Module

Ordering Information

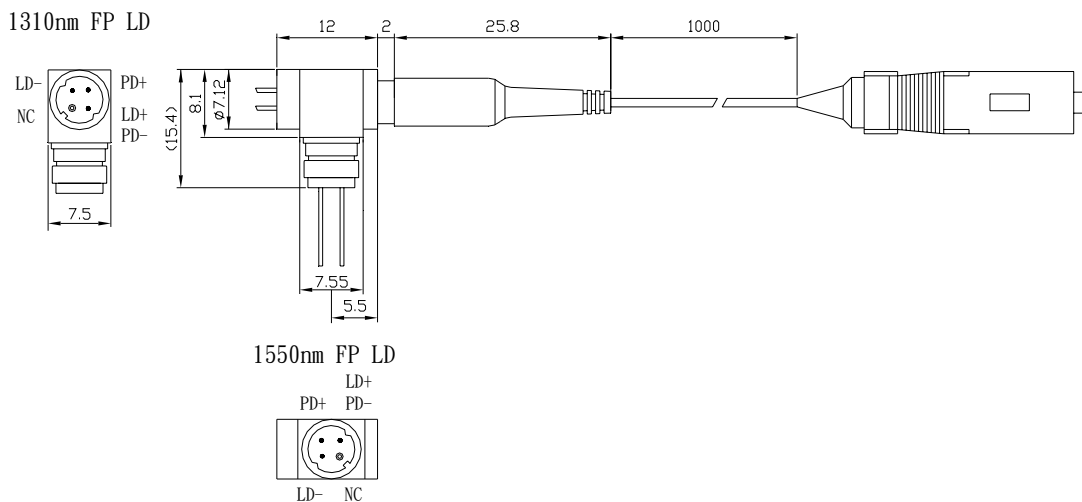


Pigtailed :

For power grade 1 and 2

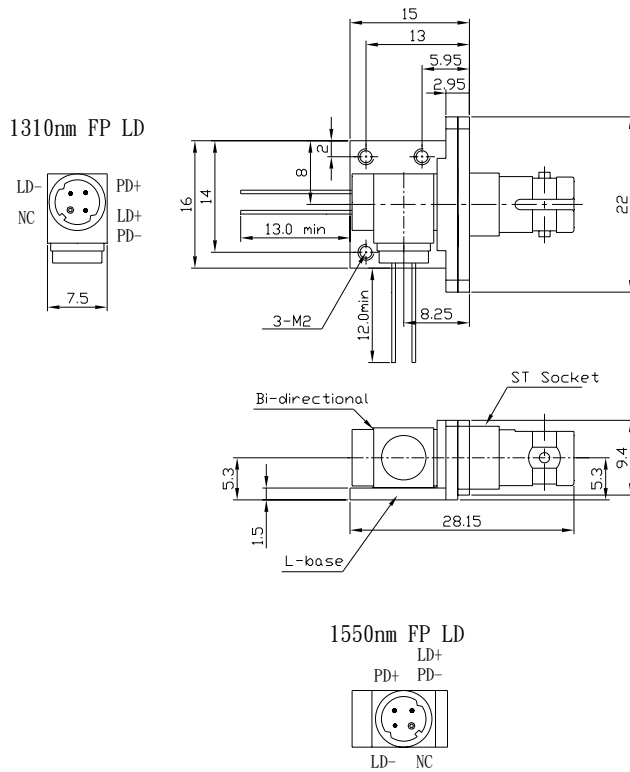


For power grade 3

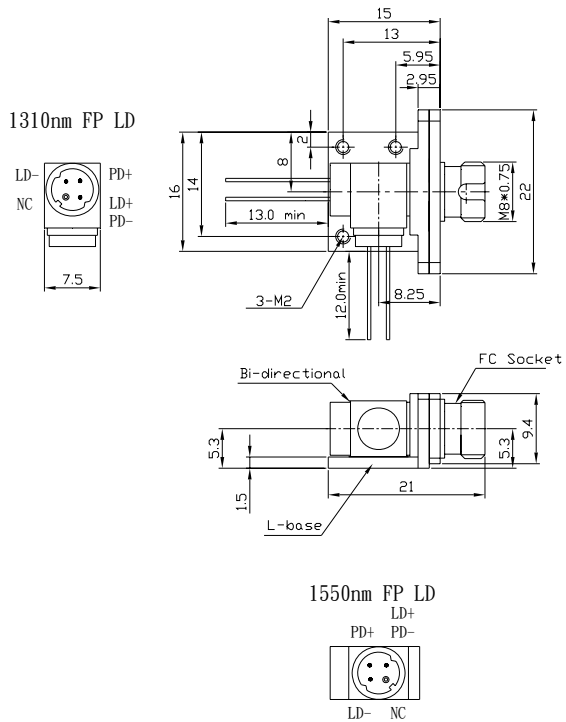


Single Mode 1310-1550nm Dual LD Single Fiber Module

ST Receptacle



FC Receptacle



Single Mode 1310-1550nm Dual LD Single Fiber Module

SC Receptacle

