

High Pulsed Power Single Mode 1310-1550nm Dual LD Single Fiber Module



High Pulsed Power Single Mode 1310-1550nm Dual LD Single Fiber Module

Laser Diode (T= 25°C)

Parameter	Symbol	Test Conditions	Min	Typical	Max	Units	
Center Wavelength	1310nm	λ	Pulse ¹ , I _F =250mA	1290	1310	1330	nm
	1550nm			1530	1550	1570	
Spectral Width (RMS)	1310nm	$\Delta\lambda$	Pulse ¹ , I _F =250mA	-	-	10	nm
	1550nm			-	-	15	
Threshold Current	1310nm	I _{th}	CW	-	6	15	mA
	1550nm			-	7	15	
Operating Current ¹	1310nm	I _{op}	Peak 10mW	-	-	250	mA
	1550nm			-	-	250	
Pulsed Optical Output Power	1310nm	P ₀	Pulse ¹ , I _F =250mA	10	-	-	mW
	1550nm						

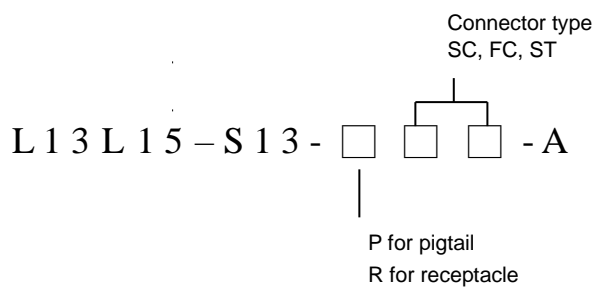
Note 1: Duty Cycle=1%, Pulse Width=10μs

Absolute Maximum Ratings (T=25°C)

Parameter	Symbol	Conditions	Ratings	Unit
Forward Current (LD)	I _{op}	Pulse ¹ , 1310nm	800	mA
		Pulse ¹ , 1550nm	800	
Reverse Voltage (LD)	V _{RL}	-	2	V
Forward Current (PD)	I _{FD}		2	mA
Reverse Voltage (PD)	V _{RD}		20	V
Operating Temperature	T _O	-	-40~85	°C
Storage Temperature	T _{stg}	-	-40~85	°C
Lead Soldering Temperature (10 sec)	T _L		260	°C

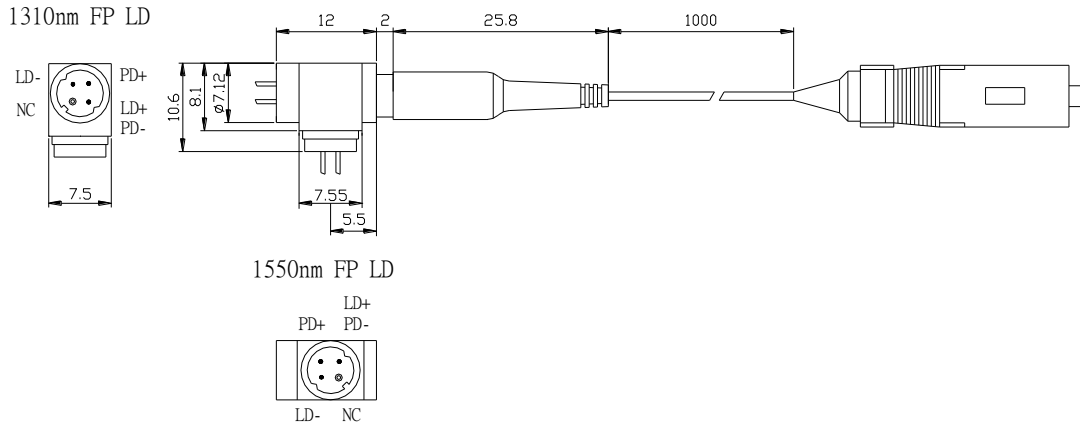
Note 1: Duty Cycle=1%, Pulse Width=10μs

Ordering Information

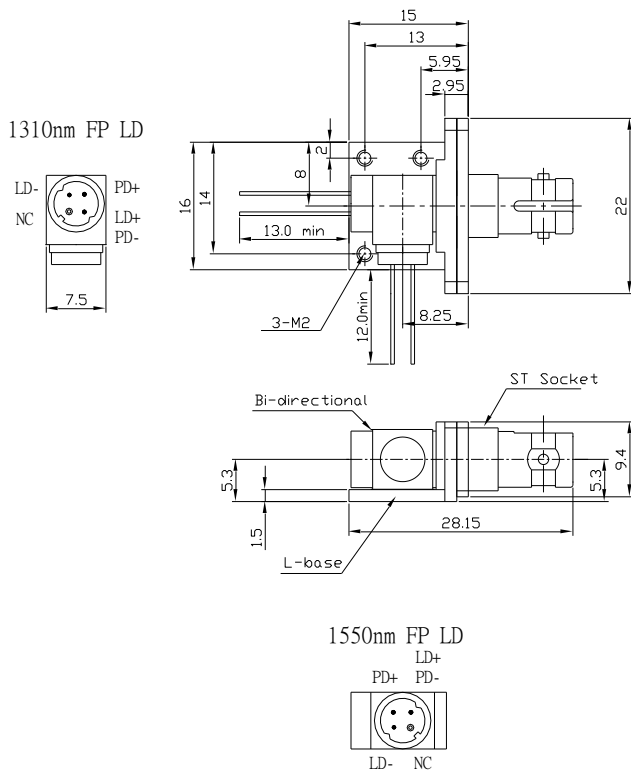


High Pulsed Power Single Mode 1310-1550nm Dual LD Single Fiber Module

Pigtailed :

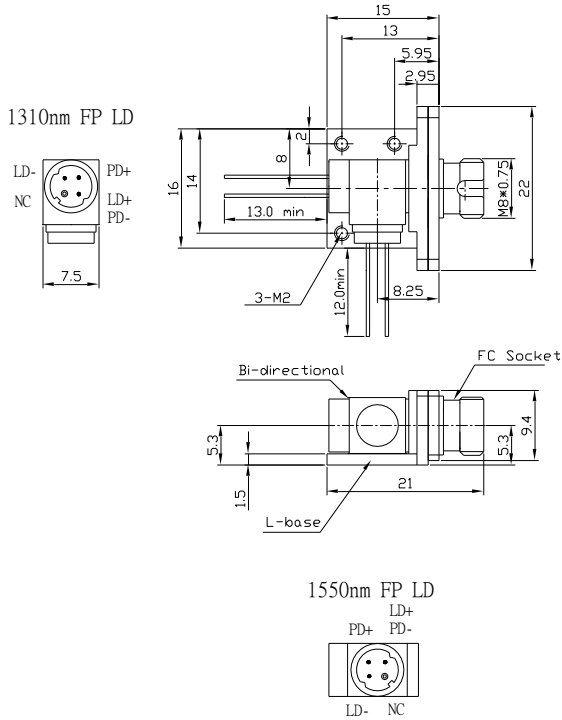


ST Receptacle



High Pulsed Power Single Mode 1310-1550nm Dual LD Single Fiber Module

FC Receptacle



SC Receptacle

