

Multimode 2.5Gbps 2X5 SFF Optical Transceiver

Features

- LC duplex receptacle
- Standard 2 x 5 footprint
- 1310 or 1550nm LD transmitter with automatic power control
- AC coupled LVPECL compatible data input and output
- Transmitter disable input
- PECL or TTL LOS output
- Single 3.3V power supply



Specifications

Parameter	Symbol	Min.	Typ.	Max.	Unit
Transmitter					
Data Rate (NRZ)	B	-	2.5	-	Gb/s
Optical Output Power (avg.) ^{(1) (2) (3)}	P _o	-2	-	-	dBm
Extinction Ratio	ER	9	-	-	dB
Optical Wavelength	λ_C	-	1310/1550	-	nm
Spectral Width (RMS)	$\Delta\lambda$	-	-	2	nm
Output Rise Time (20-80%)	t _r	-	-	100	ps
Output Fall Time (20-80%)	t _f	-	-	100	ps
Data Differential Input Voltage	V _i	500	-	2400	mV _{p-p}
Tx Disable Input	V _{DIL}	0	-	0.8	V
	V _{DIH}	2	-	V _{CC}	V
Supply Voltage	V _{CC}	2.97	3.3	3.63	V
Supply Current	I _{CC}	-	-	110	mA
Receiver					
Data Rate (NRZ)	B	-	2.5	-	Gb/s
Optical Input Sensitivity (avg.) ^{(1) (5)}	P _{IN}	-	-	-15	dBm
Saturation	P _{SAT}	-3	-	-	dBm
Optical Wavelength	λ	1100	-	1600	nm
Output Rise Time (20-80%)	t _r	-	-	100	ps
Output Fall Time (20-80%)	t _f	-	-	100	ps
Data Differential Output Voltage	V _o	600	-	1200	mV _{p-p}
LOS Asserted (avg.)	P _A	-25	-	-	dBm
LOS Deasserted (avg.)	P _D	-	-	-15	dBm
LOS Hysteresis	P _{HYS}	-	2	-	dB
Supply Voltage	V _{CC}	2.97	3.3	3.63	V
Supply Current	I _{CC}	-	-	100	mA

Notes :

- (1) With 0.275 NA, 50/125 μ m fiber.
- (2) Driven with a differential signal.
- (3) Class 1 eye safe per FDA and IEC.
- (4) Transmitter eye mask diagram is compliant to FC-PI-2 Eye Diagram.
- (5) 2⁷ -1 PRBS, BER= 10⁻¹².
- (6) The transmitter output should not be viewed directly.

Multimode 2.5Gbps 2X5 SFF Optical Transceiver

Absolute Maximum Ratings

Parameter		Min.	Max.	Unit
Operating Temperature	-1	0	70	°C
	-2	-40	85	°C
Storage Temperature		-40	100	°C
Lead Soldering Limits		-	240/10	°C /sec
Supply Voltage		-0.2	4	V

Ordering Information

T R M 1 4 - 1 L L C 3 A R 1

Operating Temperature Range :

1 : 0 ~ 70°C

2 : -40 ~ 85°C

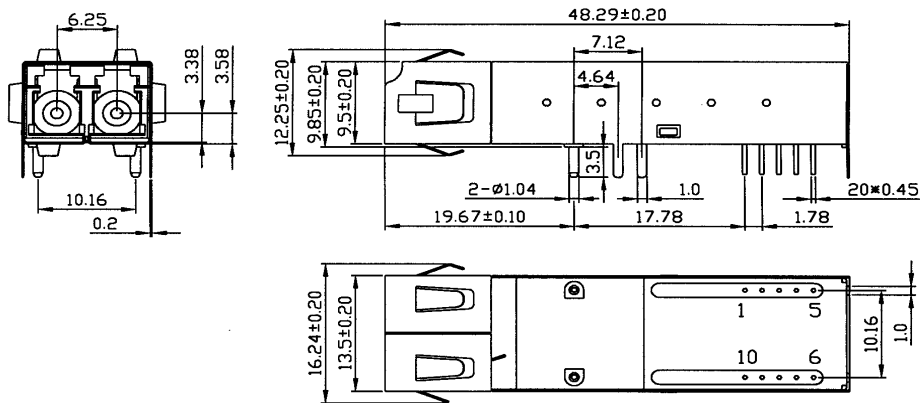
Data Coupling & LOS Output Level :

Symbol	Tx Coupling	Rx Coupling	SD
E	AC	AC	PECL
F	AC	AC	TTL

Multimode 2.5Gbps 2X5 SFF Optical Transceiver

Outline Drawing

2*5



UNIT : mm

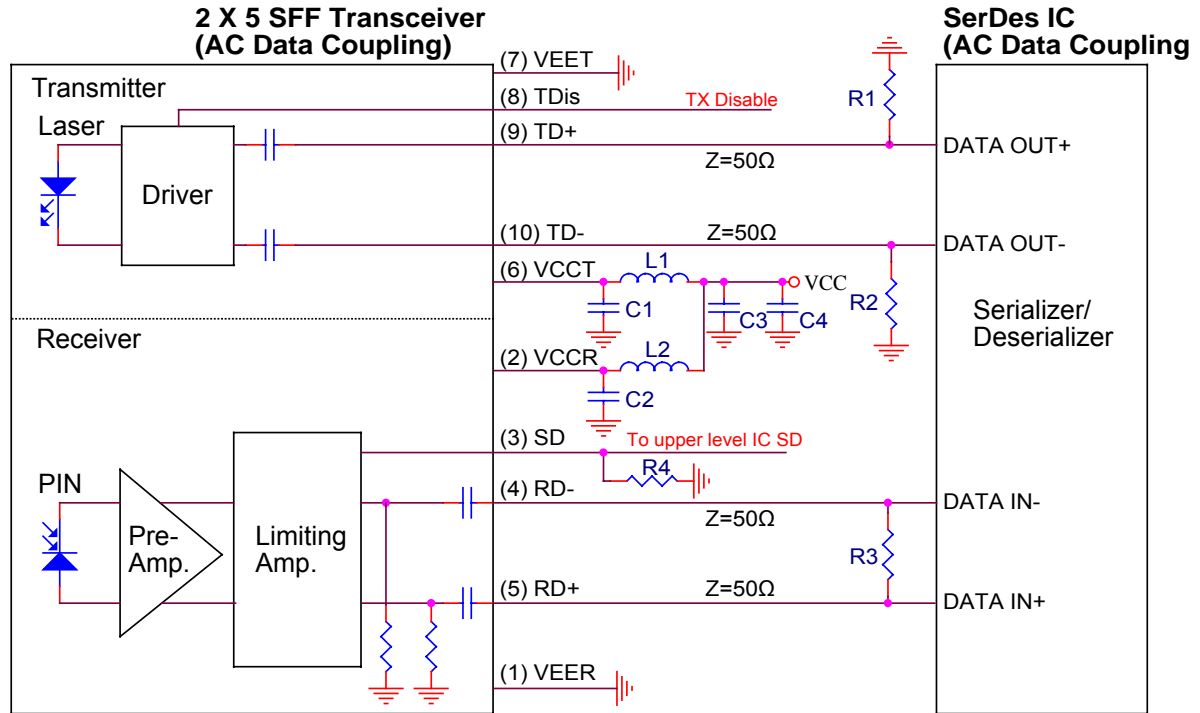
Pinout Description

Pin No.	Symbol	Description
1	V _{EER}	Receiver Ground
2	V _{CCR}	Receiver Power Supply
3	LOS	Receiver Loss of Signal
4	RD-	Receiver Data Out (Inverted)
5	RD+	Receiver Data Out
6	V _{CCT}	Transmitter Power Supply
7	V _{EET}	Transmitter Ground
8	TD _{is}	Input Logic Low Level to Switch Laser "ON" Input Logic High Level to Switch Laser "OFF"
9	TD+	Transmitter Data in
10	TD-	Transmitter Data In (Inverted)

Multimode 2.5Gbps 2X5 SFF Optical Transceiver

Application Notes

Recommended Interface Circuit :



L1=L2=1 μ H or ferrite bead
 C1=C2=C3=0.1 μ F
 C4=10 μ F
 R1, R2, R3 depends on SerDes IC specification.
 (Consult the SerDes IC application information)
 R4=510 Ω

NOTE :
 1. Transmission line characteristic impedance Z=50 Ω .
 2. R1, R2, R3 as close to SerDes IC as possible.

Appointech, Inc.
 6F-2, NO.192 Tung-Kuan Rd.,
 Hsinchu, Taiwan, R.O.C.
 TEL : 886-3-573-8478
 FAX : 886-3-573-8441
 E-mail : sales@appointech.com
 http://www.appointech.com