

Multimode 622Mbps Optical Transceiver

Features

- 850nm VCSEL transmitter
- Intermediate and long reach
- Industrial standard 1x9 pin footprint
- Duplex SC/ST/FC single mode connector interface
- Receiver signal detect function
- Wide dynamic rang receiver with AGC
- PECL/LVPECL logic interface, DC or AC coupling
- Single supply 5V/3.3V
- Low power consumption
- RoHS available



Specifications

Parameter		Symbol	Min.	Typ.	Max.	Unit
Transmitter						
Data Rate (NRZ)		B	-	622	-	Mb/s
Optical Output Power (avg.) ⁽¹⁾⁽²⁾⁽³⁾						
-1		P_o	-10	-	-5	dBm
-2		P_o	-5	-	0	dBm
Extinction Ratio		ER	9	-	-	dB
Optical Wavelength		λ_c	830	850	860	nm
Spectral Width (RMS)		$\Delta\lambda$	-	-	0.85	nm
Output Rise Time (20-80%)		t_r	-	-	0.26	ns
Output Fall Time (20-80%)		t_f	-	-	0.26	ns
Data Input ⁽⁶⁾	DC Coupled	V_{IL} V_{IH}	$V_{CC} - 1.810$ $V_{CC} - 1.165$	- -	$V_{CC} - 1.475$ $V_{CC} - 0.880$	V V
	AC Coupled (Differential)	V_I	0.25	-	1.6	V
Supply Voltage		V_{CC}	3.10 4.75	3.3 5.0	3.50 5.25	V
Supply Current		I_{CC}	-	-	110	mA
Receiver						
Data Rate (NRZ)		B	-	622	-	Mb/s
Optical Input (avg.) Sensitivity ⁽¹⁾⁽⁵⁾		P_{IN}	-	-	-23	dBm
Saturation		P_{SAT}	-3	0	-	dBm
Optical Wavelength		λ	770	850	860	nm
Output Rise Time (20-80%)		t_r	-	-	0.4	ns
Output Fall Time (20-80%)		t_f	-	-	0.4	ns
Data Output ⁽⁶⁾	DC Coupled	V_{OL} V_{OH}	$V_{CC} - 1.840$ $V_{CC} - 1.045$	- -	$V_{CC} - 1.62$ $V_{CC} - 0.88$	V V
	AC Coupled (Differential)	V_I	0.6	-	1.8	V
Signal Detect Asserted (avg.)		P_A	-	-	-23	dBm
Signal Detect Deasserted (avg.)		P_D	-28	-	-	dBm
Hysteresis		P_{HYS}	-	2	-	dB
Supply Voltage		V_{CC}	3.10 4.75	3.3 5.0	3.50 5.25	V
Supply Current		I_{CC}	-	-	100	mA

Multimode 622Mbps Optical Transceiver

Notes :

- (1) With 0.275 NA, 62.5/125μm fiber.
- (2) Driven with a differential signal.
- (3) Class 1 eye safe per FDA and IEC.
- (4) Eye mask diagram is compliant to IEEE802.3z Eye Diagram.
- (5) 2⁷ -1 PRBS, BER= 10⁻¹².
- (6) Compatible with LVPECL and PECL logic levels.
- (7) The transmitter output should not be viewed directly.

Absolute Maximum Ratings

Parameter		Min.	Max.	Unit
Operating Temperature	-1	0	70	°C
	-2	-40	85	°C
Storage Temperature		-40	100	°C
Lead Soldering Limits		-	240/10	°C /sec
Supply Voltage	5V	-0.2	7	V
	3.3V	-0.2	4	V

Ordering Information

T R 8 5 M M 2 - V 9 R 1 -- G for RoHs compliant

Operating Temperature Range :
 1 : 0 ~ 70°C
 2 : -40 ~ 85°C

Data Coupling & SD Output Level :

Sym bol	Tx Coupling	Rx Coupling	SD
C	AC	DC	PECL
D	AC	DC	TTL
E	AC	AC	PECL
F	AC	AC	TTL
G	DC	DC	PECL
H	DC	DC	TTL
I	DC	AC	PECL
J	DC	AC	TTL

Supply Voltage :
 5 : 5V
 3 : 3.3V

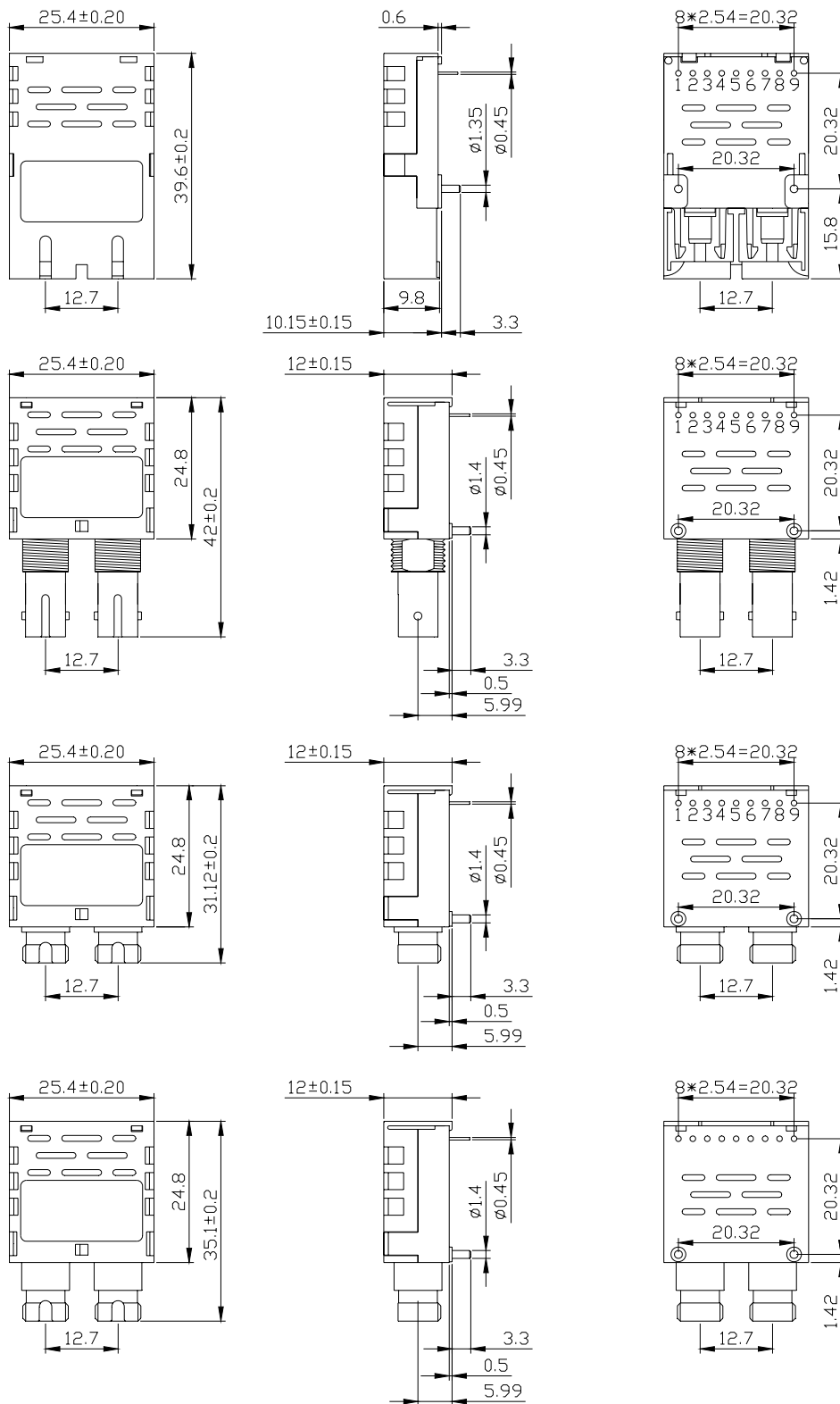
Connector Type :
 SC : SC Connector
 FC : FC Connector
 ST : ST Connector

Tx Output Power Grade :
 (refer to Specifications)
 1 : -1
 2 : -2

Multimode 622Mbps Optical Transceiver

Outline Drawing

UNIT : mm



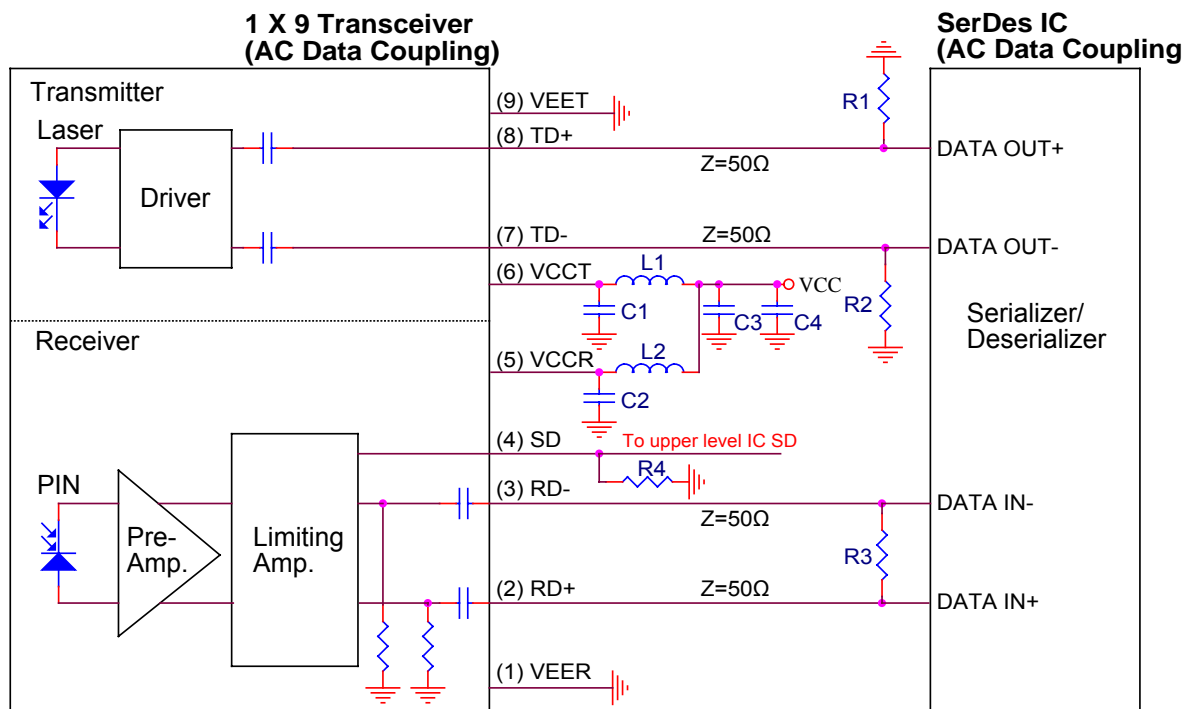
Multimode 622Mbps Optical Transceiver

Pinout Description

Pin No.	Symbol	Description
1	V _{EER}	Receiver Ground
2	RD+	Receiver Data Out
3	RD-	Receiver Data Out (Inverted)
4	SD	Receiver Signal Detect
5	V _{CCR}	Receiver Power Supply (5V/3.3V)
6	V _{CCT}	Transmitter Power Supply (5V/3.3V)
7	TD-	Transmitter Data In (Inverted)
8	TD+	Transmitter Data in
9	V _{EET}	Transmitter Ground

Application Notes

Recommended AC Coupling Interface Circuit :

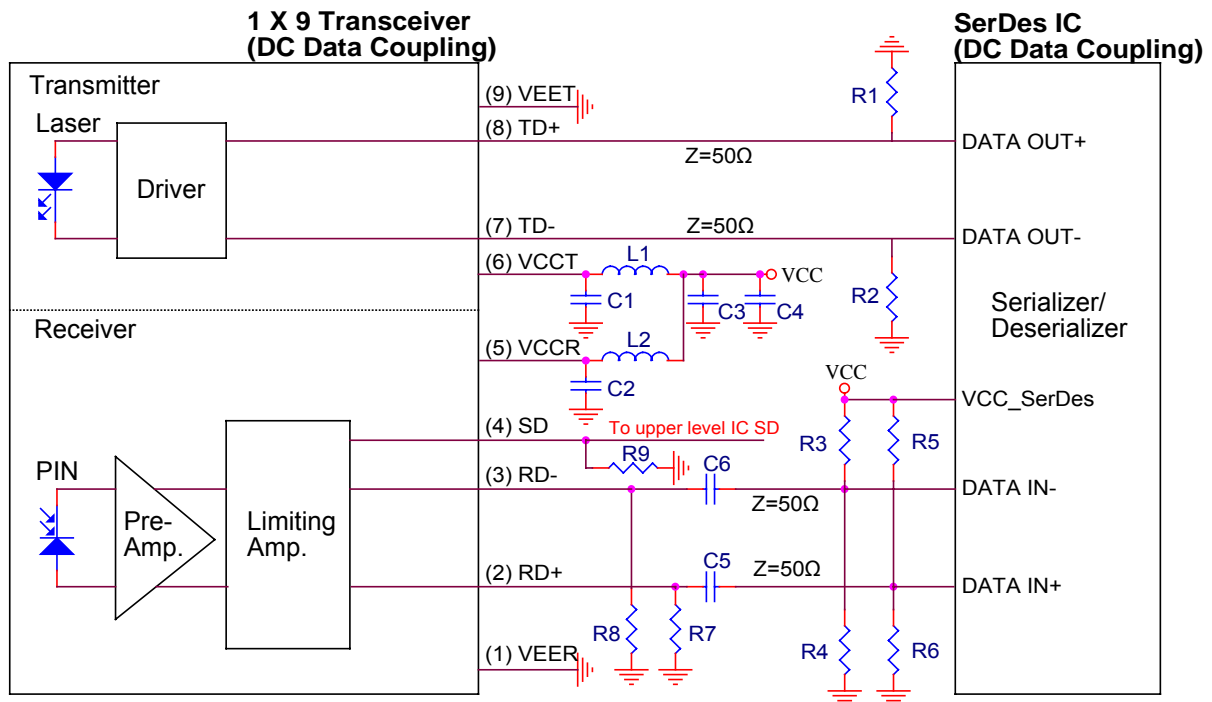


L1=L2=1 μ H or ferrite bead
 C1=C2=C3=0.1 μ F
 C4=10 μ F
 R1, R2, R3 depends on SerDes IC specification.
 (Consult the SerDes IC application information)
 R4=510 Ω

NOTE :
 1. Transmission line characteristic impedance Z=50 Ω .
 2. R1, R2, R3 as close to SerDes IC as possible.

Multimode 622Mbps Optical Transceiver

Recommended DC Coupling Interface Circuit :



$L1=L2=1\mu\text{H}$ or ferrite bead
 $C1=C2=C3=C5=C6=0.1\mu\text{F}$
 $C4=10\mu\text{F}$
 $R1, R2, R3, R4, R5, R6$ depends on SerDes IC specification.
 (Consult the SerDes IC application information)
 $R7=R8=270\Omega$ ($VCC=3.3\text{V}$)
 $=510\Omega$ ($VCC=5\text{V}$)
 $R9=510\Omega$

NOTE :
 1. Transmission line characteristic impedance $Z=50\Omega$.
 2. $R1, R2, R3, R4, R5, R6$ as close to SerDes IC as possible.
 3. $R7, R8$ as close to 1X9 Transceiver as possible.

Appointech, Inc.
 6F-2, NO.192 Tung-Kuan Rd.,
 Hsinchu, Taiwan, R.O.C.
 TEL : 886-3-573-8478
 FAX : 886-3-573-8441
 E-mail : sales@appointech.com
 http://www.appointech.com