

Single Mode 1310/1310nm Bi-directional Single Fiber Module with PD



Laser Diode (T= 25°C)

Parameter	Symbol	Test Conditions	Min	Typical	Max	Units
Data Rate			100M		1.25G	b/s
Center Wavelength	λ	P_0 -40 to 85°C	1260	1310	1360	nm
Spectral Width	$\Delta\lambda$	P_0 , (RMS, -20dB)	-	1	2	nm
Threshold Current	I_{th}	P_0 , 25°C	-	5	10	mA
Operating Voltage	V_{op}	P_0	-	1.1	1.5	V
Rise/fall Time	t_r / t_f	10-90%	-	0.3	0.7	ns
Optical Output Power	P_0	$I_{th}+20mA1$				
-1			0.1	-	0.4	mW
-2			0.4	-	0.7	mW
-3			0.7	-	1.2	mW
Monitor Current (PD)	I_m	$P_0, V_{RD} = 1V$	0.1	0.5	-	mA
Dark Current (PD)	I_d	$V_{RD} = 10V$	-	-	0.1	uA
Tracking Error	E_t	-40 to 85°C	-	± 1.0	-	dB

PIN PD (T=25°C, V= 4.75 to 5.25V DC or 3.1 to 3.5V DC)

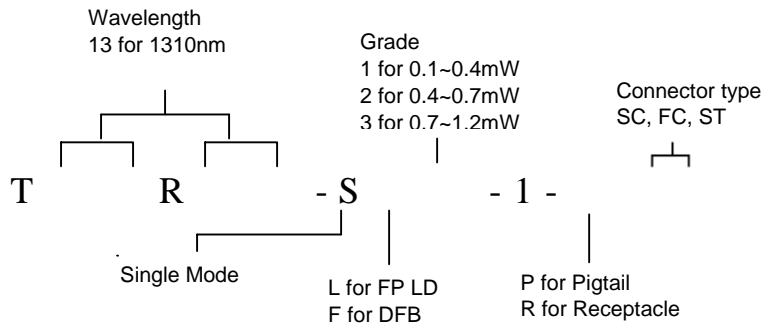
Parameter	Symbol	Min.	Typical	Max.	Unit
Data Rate	B	-	-	1.25G	b/s
Optical Input Responsivity	R	0.3			A/W.

Single Mode 1310/1310nm Bi-directional Single Fiber Module with PD

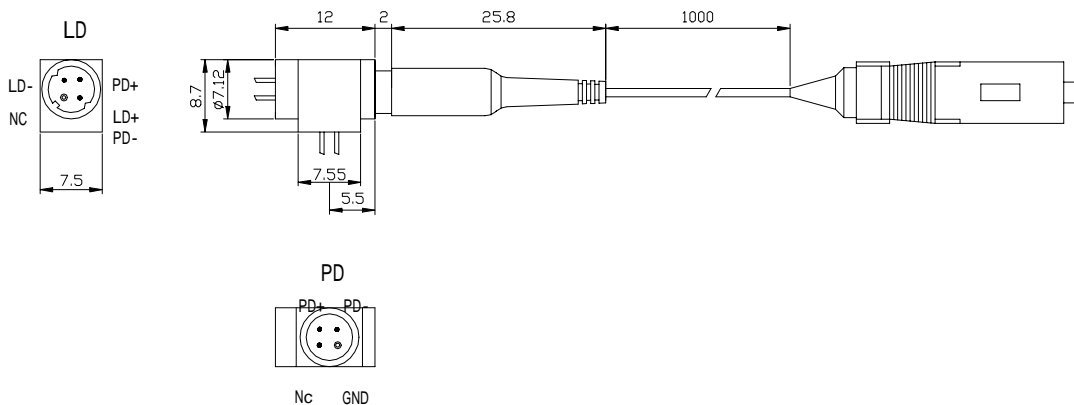
Absolute Maximum Ratings (T=25°C)

Parameter	Symbol	Min.	Max.	Unit
Forward Current (LD)	I_{op}	-	85	mA
Reverse Voltage (LD)	V_{RL}	-	2	V
Forward Current (PD)	I_{FD}	-	2	mA
Reverse Voltage (PD)	V_{RD}	-	20	V
Operating Temperature	T_O	-40	85	°C
Storage Temperature	T_{stg}	-40	125	°C
Lead Soldering Temperature (10 sec)	T_L	-	260	°C

Ordering Information



Pigtailed :



Single Mode 1310/1310nm Bi-directional Single Fiber Module with PD

Receptacle (SC) :

