

# Multimode 850/1310nm Bi-directional Single Fiber Module with PD



## Laser Diode (T= 25°C)

Parameter	Symbol	Test Conditions	Min	Typical	Max	Units
Center Wavelength	$\lambda$	$P_0$ -40 to 85°C	1260	1310	1360	nm
			830	850	860	
Spectral Width	$\Delta\lambda$	$P_0$ , (RMS, -20dB)	-	1	2	nm
			-	-	1	
Threshold Current	$I_{th}$	$P_0$ , 25°C	-	5	15	mA
			-	3	6	
Operating Voltage	$V_{op}$	$P_0$	-	1.1	1.5	V
			-	1.9	2.2	
Rise/fall Time	$t_r / t_f$	10-90%	-	0.3	0.7	ns
			-	0.3	0.7	
Optical Output Power(50/125um)	$P_0$	1310nm, $I_{th}+20mA$ 850nm, $I_{th}+10mA$				
-1					0.9	mW
					0.7	mW
-2			0.9			mW
			0.7			mW
Monitor Current (PD)	$I_m$	$P_0, V_{RD}=1V$	0.1	0.5	-	mA
Dark Current (PD)	$I_d$	$V_{RD}=10V$	-	-	0.1	uA

## PIN Photodiode(T=25°C)

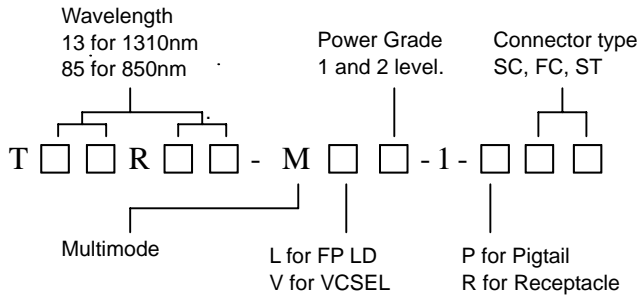
Parameter	Symbol	Test Conditions	Min.	Typical	Max.	Unit
Responsivity(50/125um)	R	1310nm 850nm	0.6 0.3			A/W
Dark Current	$I_d$				1	nA
Capacitance	$C_t$			0.7	0.8	pF

## Absolute Maximum Ratings (T=25°C)

Parameter	Symbol	Min.	Max.	Unit
Forward Current (LD) 1310nm 850nm	$I_{op}$	-	85 15	mA
Reverse Voltage (LD) 1310nm 850nm	$V_{RL}$	-	2 10	V
Forward Current (PD) 1310nm	$I_{FD}$	-	2	mA
Reverse Voltage (PD) 1310nm	$V_{RD}$	-	20	V
Operating Temperature	$T_O$	-40	85	°C
Storage Temperature	$T_{stq}$	-40	100	°C
Lead Soldering Temperature (10 sec)	$T_L$	-	260	°C

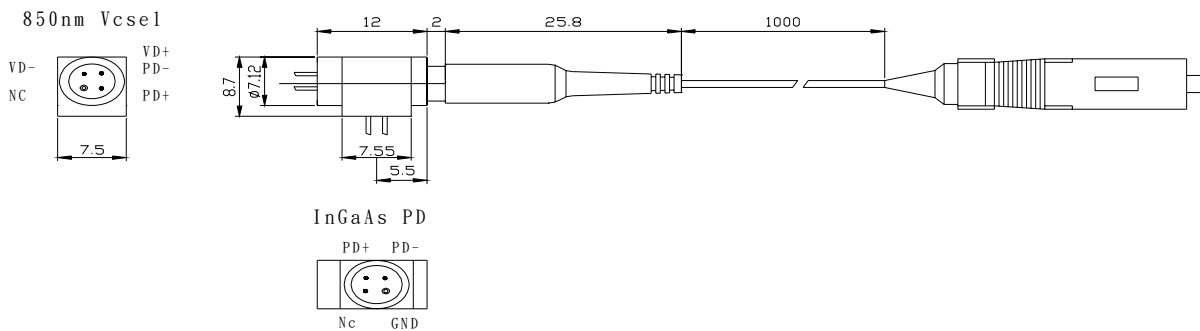
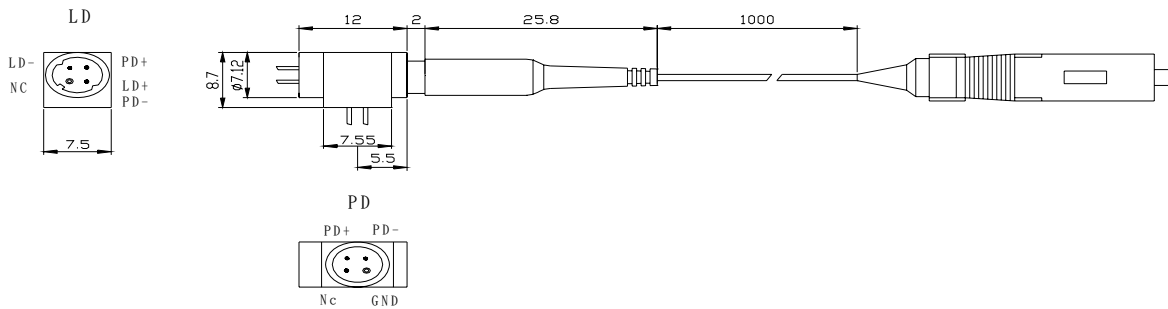
# Multimode 850/1310nm Bi-directional Single Fiber Module with PD

## Ordering Information:



## Outline Dimension :

Pigtailed :



# Multimode 850/1310nm Bi-directional Single Fiber Module with PD

Receptacle ( SC ) :

