

## Multimode 850/1300nm LED Bi-directional Single Fiber Module with PD



### LED (T= 25°C)

Parameter		Symbol	Test Conditions	Min	Typical	Max	Units
Center Wavelength		$\lambda$	$P_0$ -40 to 85°C	1260	1300	1350	nm
				820	850	880	
Spectral Width		$\Delta\lambda$	$P_0$ , (RMS, -20dB)	-	140	200	nm
				-	50	-	
Operating Voltage		$V_{op}$	$P_0$	-	1.3	-	V
				-	1.8	2.2	
Rise/fall Time		$t_r / t_f$	10-90%	-	-	3	ns
				-	-	7	
Optical Output Power		$P_0$	100 mA				
1300nm	50/125um fiber			11		-	uW
	62.5/125um fiber			22		-	uW
850nm	50/125um fiber			15		-	uW
	62.5/125um fiber			30		-	uW

### PIN Photodiode (T=25°C)

Parameter	Symbol	Test Conditions	Min.	Typical	Max.	Unit
Responsivity(50/125um)	R	1310nm 850nm	0.6 0.3			A/W
Dark Current	$I_d$				1	nA
Capacitance	$C_t$			0.7	0.8	pF

### Absolute Maximum Ratings (T=25°C)

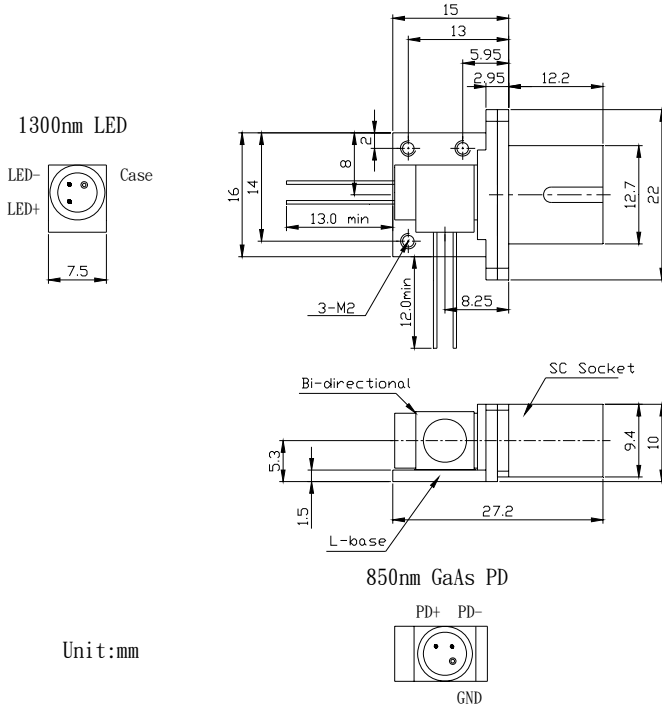
Parameter		Symbol	Min.	Max.	Unit
Forward Current	1310nm	$I_{op}$	-	120	mA
	850nm			120	
Reverse Voltage	1310nm	$V_{RL}$	-	2	V
	850nm			2	
Operating Temperature		$T_O$	-40	70	°C
Storage Temperature		$T_{stg}$	-40	85	°C
Lead Soldering Temperature (10 sec)		$T_L$	-	260	°C



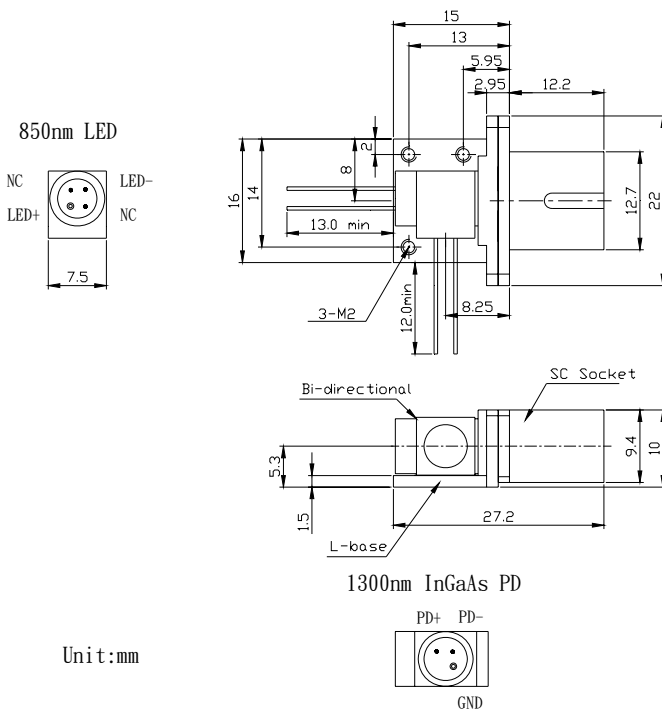
# Multimode 850/1300nm LED Bi-directional Single Fiber Module with PD

Receptacle (SC):

## T13R85

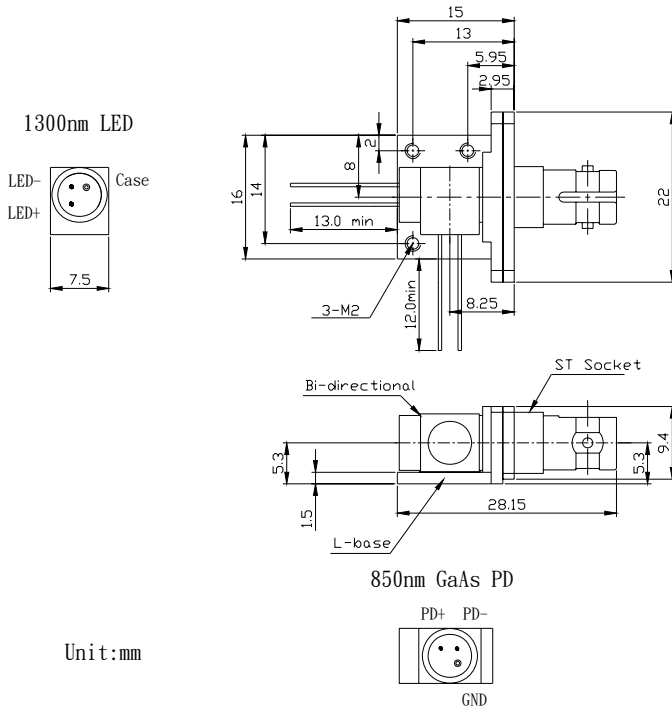


## T85R13

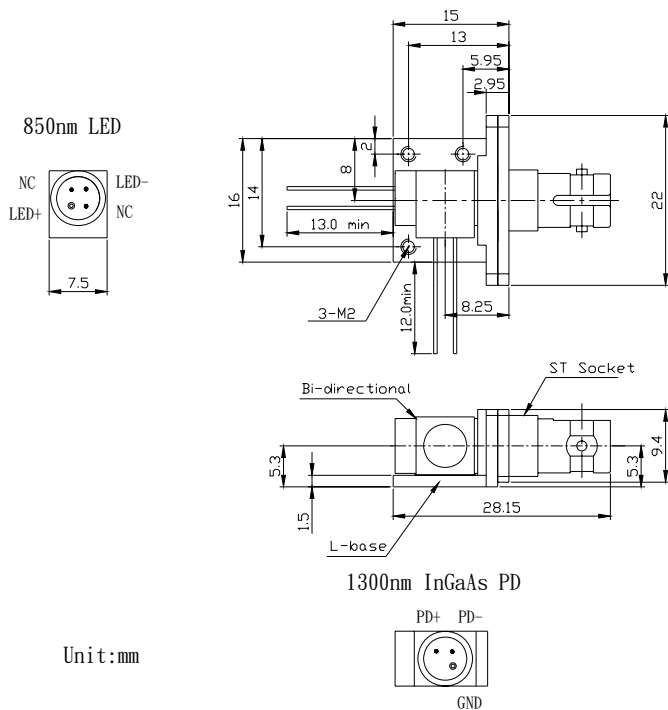


# Multimode 850/1300nm LED Bi-directional Single Fiber Module with PD

## ST Receptacle T13R85

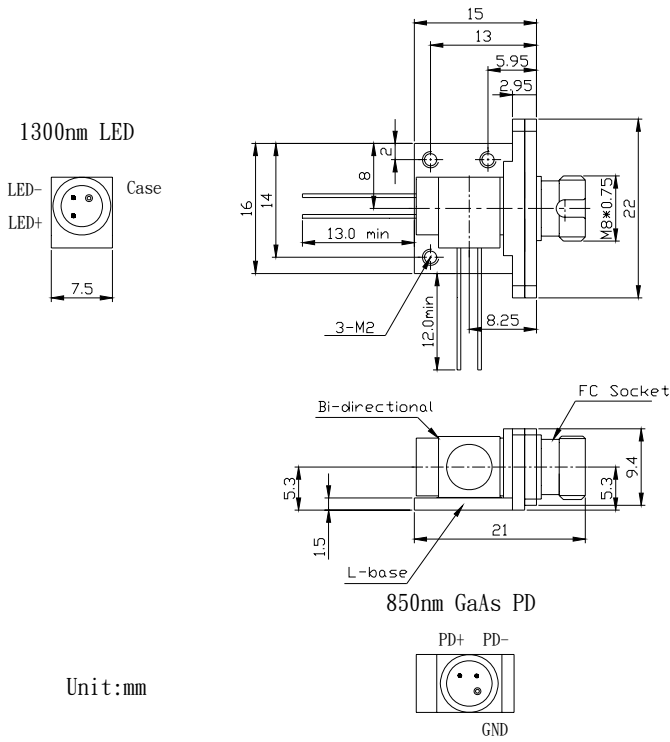


## T85R13



# Multimode 850/1300nm LED Bi-directional Single Fiber Module with PD

## FC Receptacle T13R85



## T85R13

