

Multimode 850/1300nm Dual LED Single Fiber Module



Specifications (T= 25°C)

| Parameter | Symbol | Test Conditions | Min | Typical | Max | Units |
|---|-----------------|-------------------------|------|---------|------|---------------|
| TX 1300 LED | | | | | | |
| Central Wavelength | λ | $P_0, 25^\circ\text{C}$ | 1260 | 1300 | 1350 | nm |
| Spectral width FWHM | $\Delta\lambda$ | $P_0, 25^\circ\text{C}$ | - | 140 | - | nm |
| Coupled power to 62.5 μm fiber | P_0 | 100mA, 25°C | 22 | - | - | μW |
| Coupled power to 50 μm fiber | | 100mA, 25°C | 11 | | | μW |
| Forward voltage | V_F | $P_0, 25^\circ\text{C}$ | - | 1.3 | - | V |
| Rise/fall time | tr/tf | 10% to 90% | - | - | 3 | ns |
| Data Rate | B | | - | - | 200 | Mb/s |
| TX 850nm LED | | | | | | |
| Central Wavelength | λ | $P_0, 25^\circ\text{C}$ | 820 | 850 | 860 | nm |
| Spectral Width FWHM | $\Delta\lambda$ | $P_0, 25^\circ\text{C}$ | - | 50 | - | nm |
| Coupled power to 62.5 μm fiber | P_0 | 100mA, 25°C | 30 | - | - | μW |
| Coupled power to 50 μm fiber | | 100mA, 25°C | 15 | | | μW |
| Forward voltage | V_F | $P_0, 25^\circ\text{C}$ | - | 1.8 | | V |
| Rise/fall time | tr/tf | 10% to 90% | - | - | 7 | ns |
| Data Rate | | | - | - | 70 | Mb/s |

Absolute Maximum Ratings (T=25°C)

| Parameter | Symbol | Min. | Max. | Unit |
|-------------------------------------|----------|------|------|------|
| Forward current (continuous) | I_{op} | - | 90 | mA |
| Reverse Voltage | V_{RL} | - | 2 | V |
| Lead Soldering Temperature (10 sec) | T_L | - | 260 | °C |
| Operating temperature | T_o | 0 | +70 | °C |
| Storage temperature | T_s | -40 | +85 | °C |

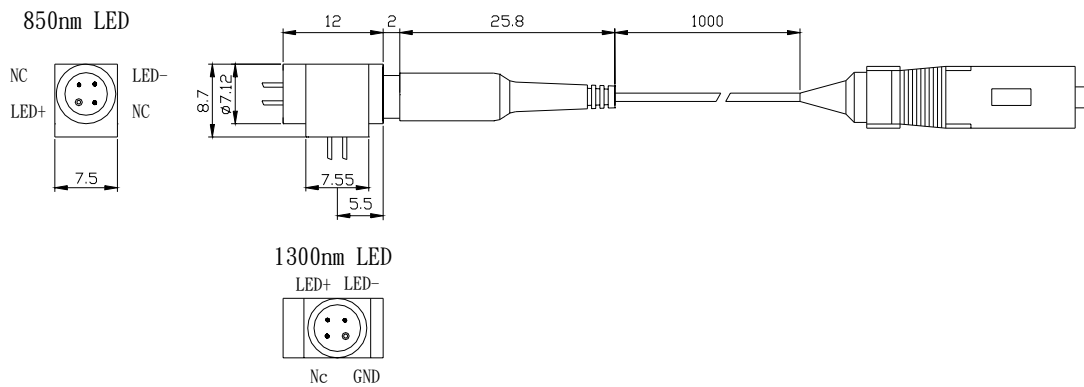
Ordering Information

1 for 50 μm , 2 for 62.5 μm SC, FC, ST
T 85T 13-M **S1** - **-A**
 P for Pigtail
 R for Receptacle

Multimode 850/1300nm Dual LED Single Fiber Module

Outline Dimension :

Pigtailed :



Receptacle (SC)

