

High Pulsed Power Single Mode 1310-1550nm Dual LD Single Fiber Module



High Pulsed Power Single Mode 1310-1550nm Dual LD Single Fiber Module

Laser Diode (T= 25°C)

Parameter	Symbol	Test Conditions	Min	Typical	Max	Units
Center Wavelength	λ	Pulse ¹ , I _F =250mA	1290	1310	1330	nm
		Pulse ¹ , I _F =500mA	1530	1550	1570	
Spectral Width (RMS)	$\Delta\lambda$	Pulse ¹ , I _F =250mA	-	-	10	nm
		Pulse ¹ , I _F =500mA	-	-	15	
Threshold Current	I _{th}	CW	-	7	15	mA
			-	30	50	
Operating Current ¹	I _{op}	Peak 10mW	-	-	150	mA
		Peak 10mW	-	-	250	
Operating Voltage	V _{op}	Pulse ¹ , I _F =250mA	-	-	3.5	V
		Pulse ¹ , I _F =500mA	-	-	5	
Pulsed Optical Output Power	P ₀	Pulse ¹ , I _F =150mA	10	-	-	mW
		Pulse ¹ , I _F =250mA				

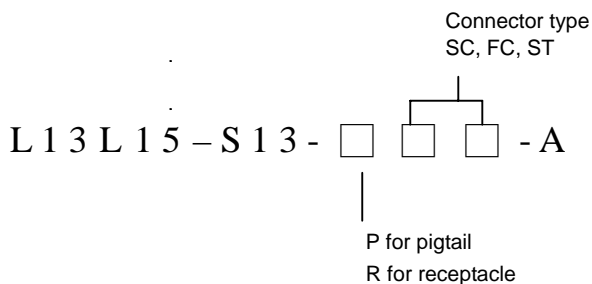
Note 1: Duty Cycle=1%, Pulse Width=10 μs

Absolute Maximum Ratings (T=25°C)

Parameter	Symbol	Conditions	Ratings	Unit
Forward Current (LD)	I _{op}	Pulse (Note 1), 1310nm	300	mA
		Pulse (Note 1), 1550nm	1000	
Reverse Voltage (LD)	V _{RL}	-	2	V
Operating Temperature	T _O	-	-20~60	°C
Storage Temperature	T _{stg}	-	-40~85	°C
Lead Soldering Temperature (10 sec)	T _L	-	260	°C

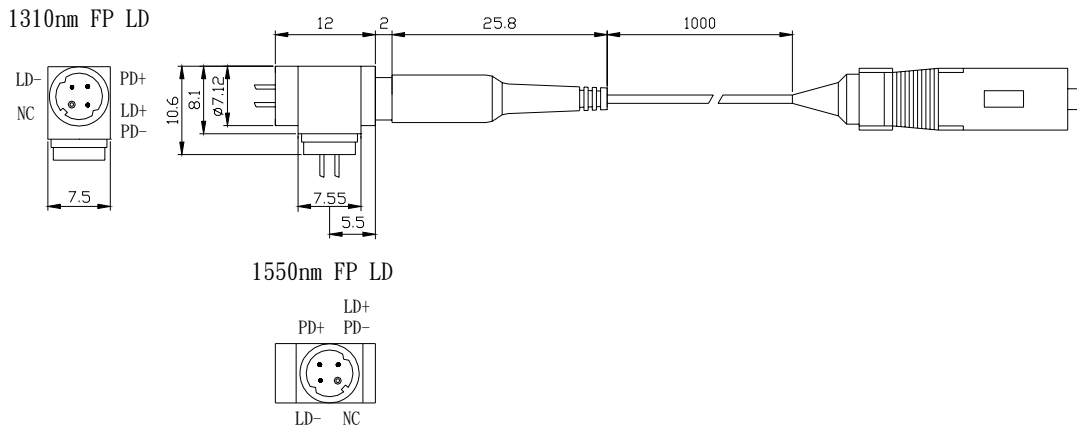
Note 1: Duty Cycle=1%, Pulse Width=10 μs

Ordering Information

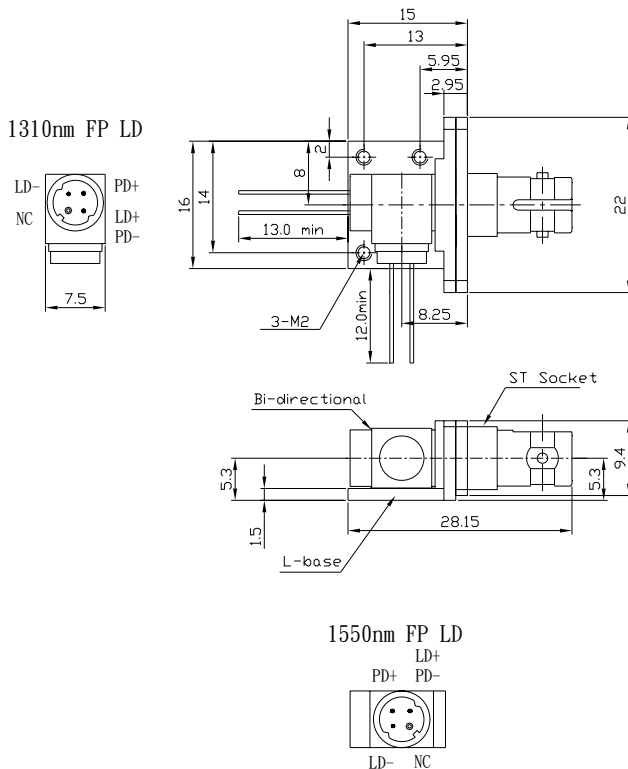


High Pulsed Power Single Mode 1310-1550nm Dual LD Single Fiber Module

Pigtailed :

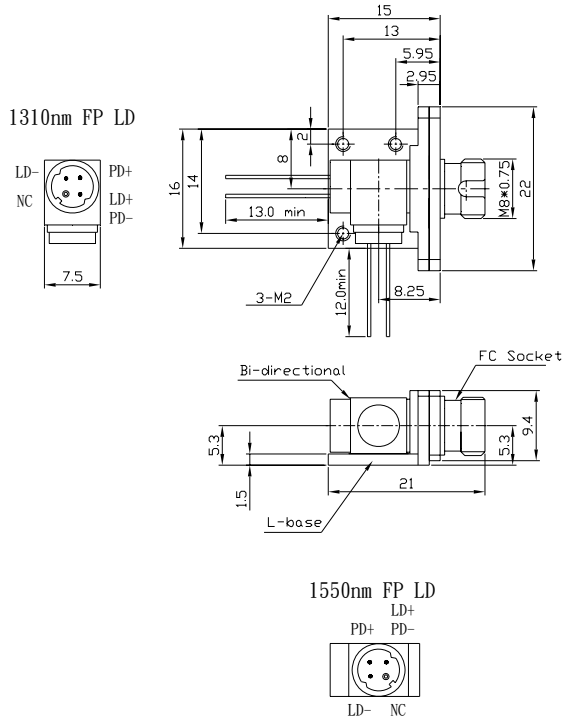


ST Receptacle



High Pulsed Power Single Mode 1310-1550nm Dual LD Single Fiber Module

FC Receptacle



SC Receptacle

