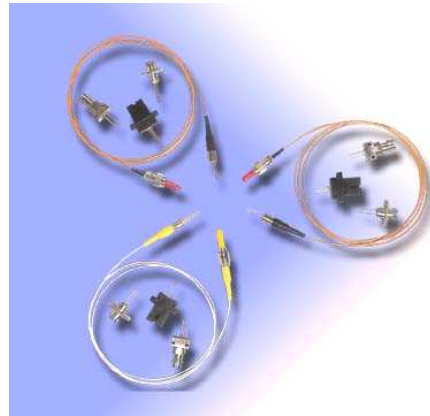


# InGaAs PIN Photodiode Module

## Features

- High Responsivity
- High speed, typical 2 GHz
- Low dark current, < 1nA
- Low capacitance, typical 0.7pF
- Operating temperature range -40°C to 85°C
- Hermetically sealed TO-18 package in pigtailed or receptacle housing with FC, ST, SC, LC, MU or SMA connector



InGaAs PIN Photodiode Module

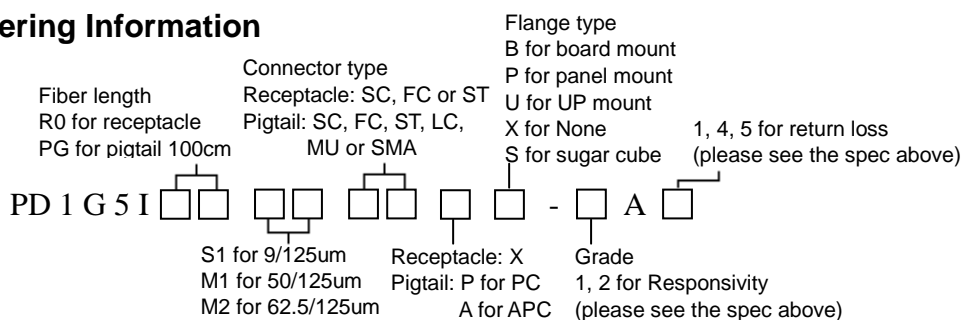
## Specifications (T=25°C, -5V)

Parameter	Symbol	Test Condition	Min.	Typ.	Max.	Unit
Responsivity	R					
9/125 um fiber	-1 -2	Laser source of 10 uw( $\lambda=1310\text{nm}$ )	0.7 0.8	0.8 0.9	- -	A/W
50/125 um fiber	-1 -2	LED source of 10 uw( $\lambda=1310\text{nm}$ )	0.65 0.75	0.75 0.85	- -	A/W
62.5/125 um fiber	-1 -2	LED source of 10 uw( $\lambda=1310\text{nm}$ )	0.6 0.7	0.7 0.8	- -	A/W
Spectral Range		-	1250	-	1650	nm
Dark Current	$I_d$	$V_R=2\text{V}$ , 0 to 1MHz	-	-	1	nA
Capacitance	$C_t$	$V_R=2\text{V}$ , 1MHz	-	0.7	0.8	pF
Rise/fall Time	tr/ff	$V_R=2\text{V}$ , 20% to 80%	-	<1	-	ns
Bandwidth	B		-	1.5	-	GHz
Return Loss						
-1(Receptacle)			14	-	-	dB
-4(Pigtail)			40	-	-	dB
-5(Pigtail)			50	-	-	dB

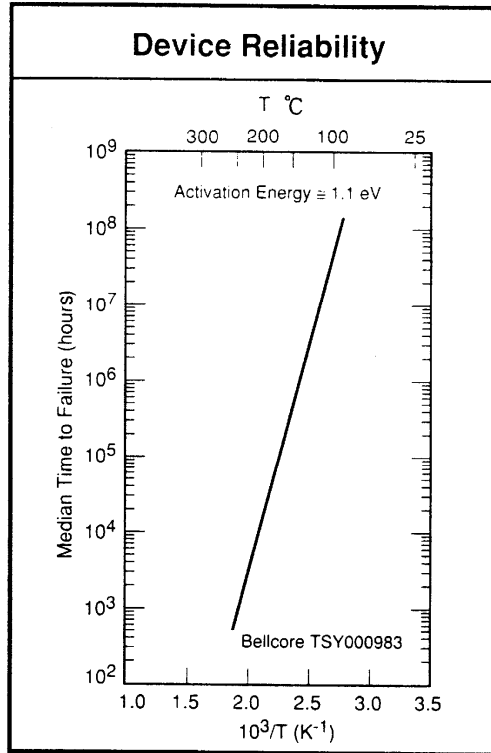
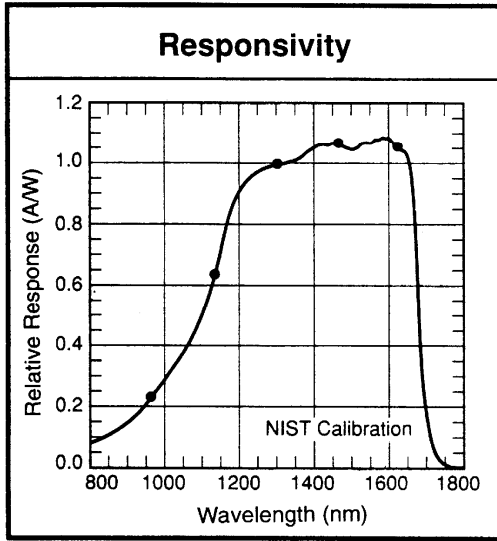
## Absolute Maximum Rating

	Symbol	Min.	Max.	Unit
Operating Temperature	$T_o$	-40	+85	°C
Storage Temperature	$T_{stg}$	-40	+125	°C
Forward Current	$I_F$	-	5	mA
Reverse Current	$I_R$	-	1.1	mA
Reverse Voltage	$V_R$	-	30	V
Lead Soldering Temperature (10 sec)	$T_L$	-	260	°C

## Ordering Information



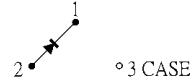
# InGaAs PIN Photodiode Module



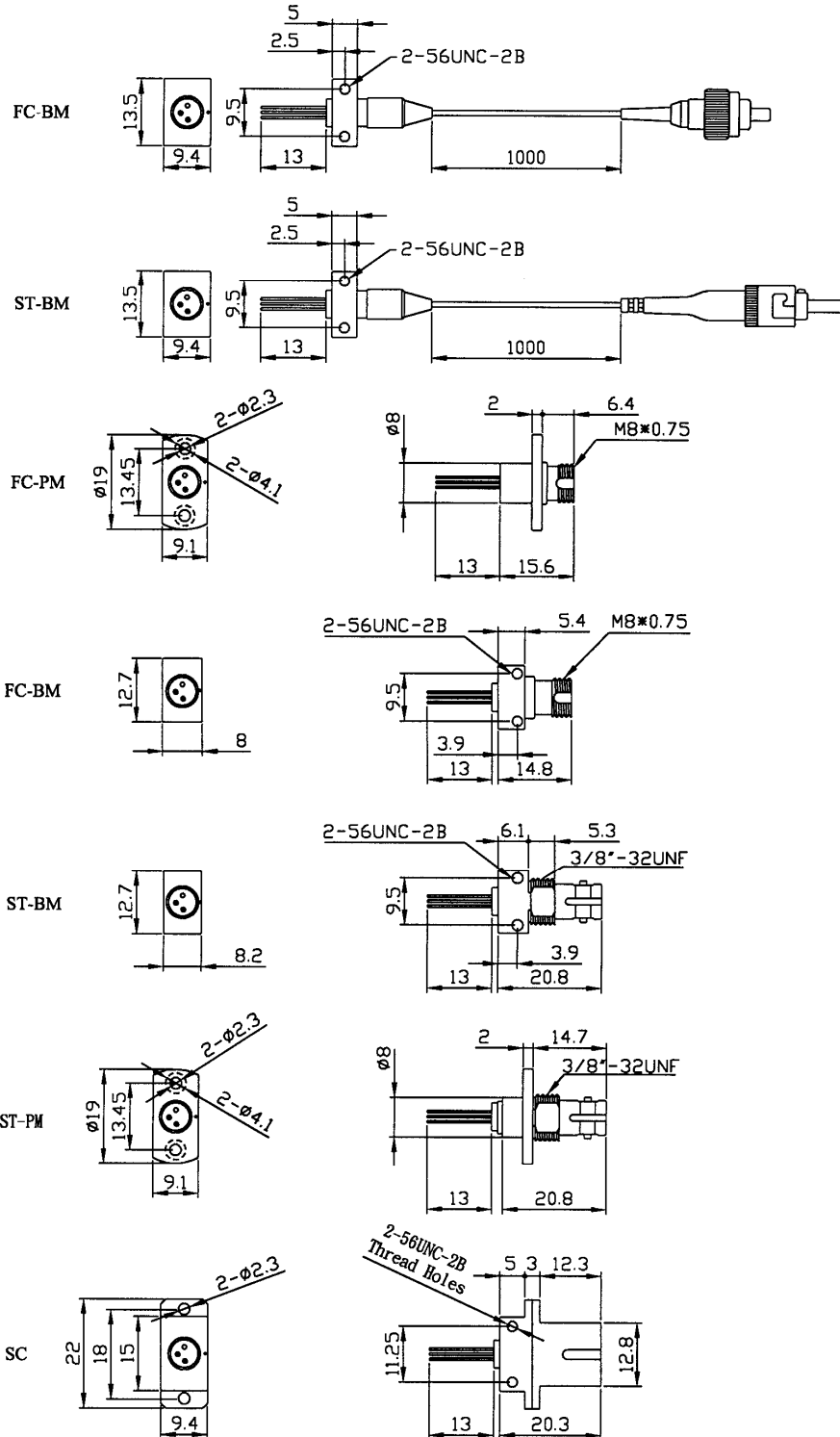
# InGaAs PIN Photodiode Module

BOTTOM VIEW

PIN CONNECTIONS



UNIT : MM



InGaAs PIN Photodiode Module