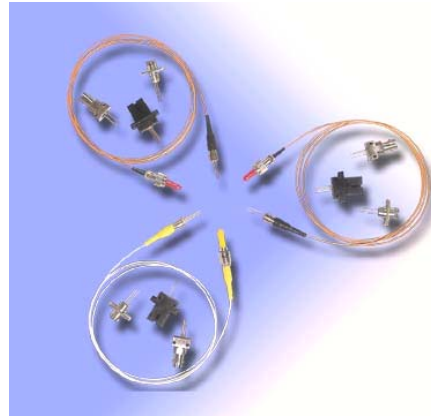


1300nm LED Module

1300 nm LED Module

Features

- High coupled power
- Peak wavelength 1300 nm
- Data rate up to 115 Mb/s
- High reliability >2 x 10⁸ hrs
- Operating temperature range 0°C to 70°C
- Hermetically sealed To -46 package in pigtailed or receptacle housing with FC, ST or SC connector



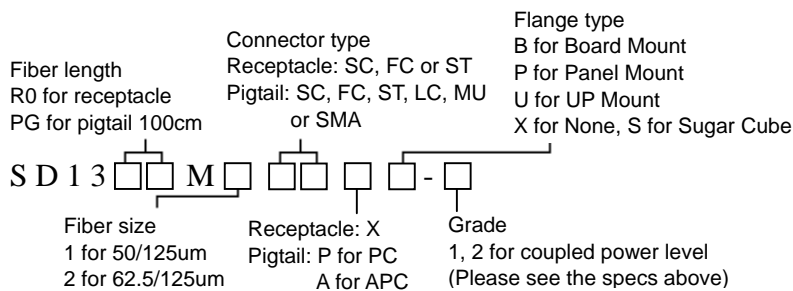
Specifications (100mA forward current, 25 °C)

Parameter	Symbol	Min	Typical	Max	Units
Peak Wavelength	λ	1260	1300	1350	nm
Spectral width FWHM	$\Delta\lambda$	-	140	200	nm
Coupled power to 62.5 μ m fiber					
-1	Po	20	-	-	μ W
-2	Po	30	-	-	μ W
Coupled power to 50 μ m fiber					
-1	Po	10	-	-	μ W
-2	Po	15	-	-	μ W
Forward voltage	V _F	-	1.3	-	V
Rise/fall time (10% to 90%)	tr/tf	-	-	3	ns
Data Rate	B	115	-	-	Mb/s
Temperature coefficient of wavelength	T _w	-	0.6	-	nm/°C
Temperature coefficient of power	T _p	-	-1	-	%/°C

Absolute Maximum Ratings

Parameter	Symbol	Min.	Max.	Unit
Operating temperature	T _o	0	+70	°C
Storage temperature	T _{stg}	-40	+85	°C
Reverse voltage	V _R	-	2	V
Peak forward current (duty cycle < 50%, f>1MHz)	I _{op}	-	125	mA
Lead Soldering Temperature (10sec)	T _L	-	260	°C

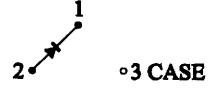
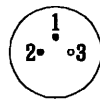
Ordering Information



1300nm LED Module

Pin Connections

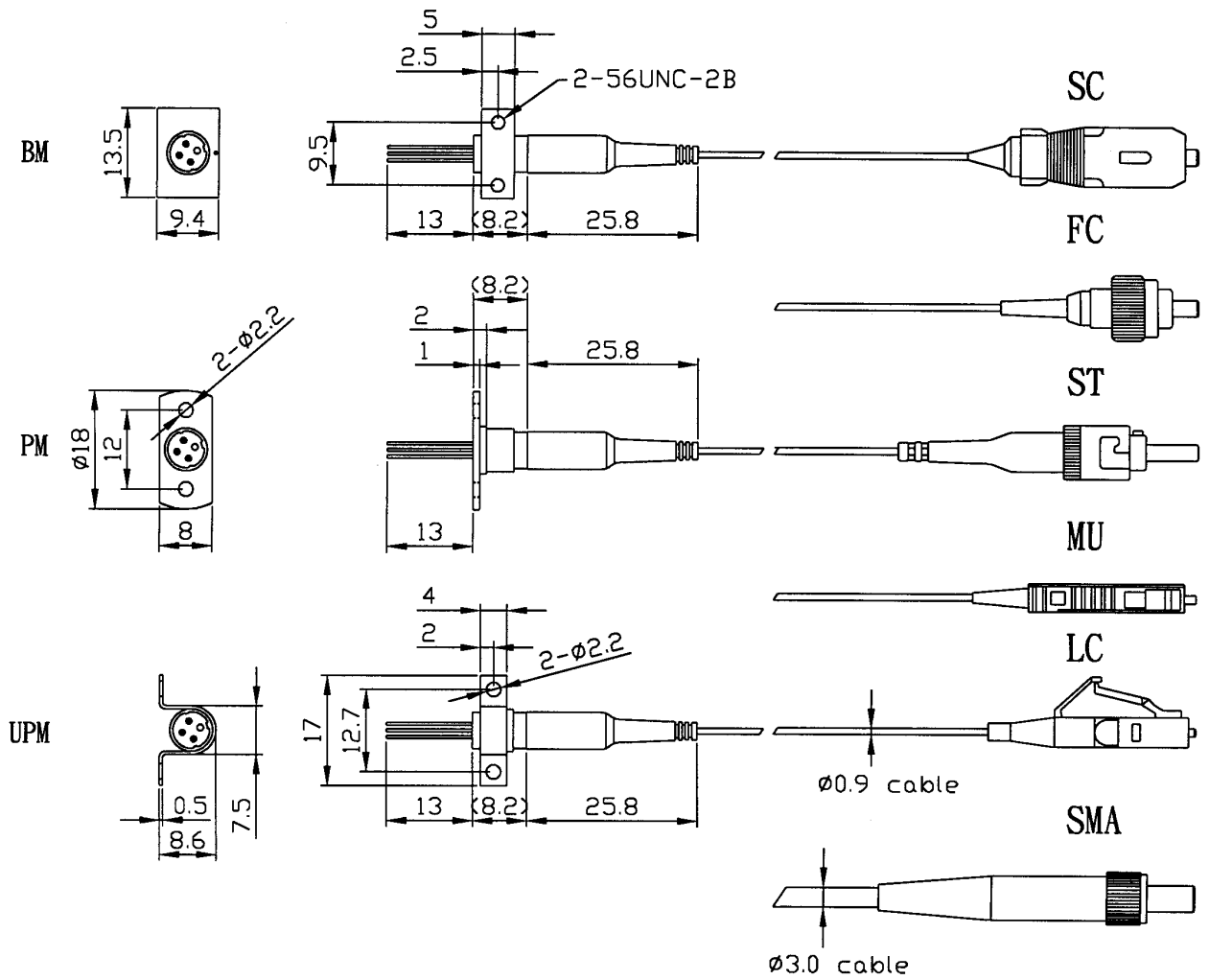
BOTTOM VIEW



UNIT : MM

Dimension

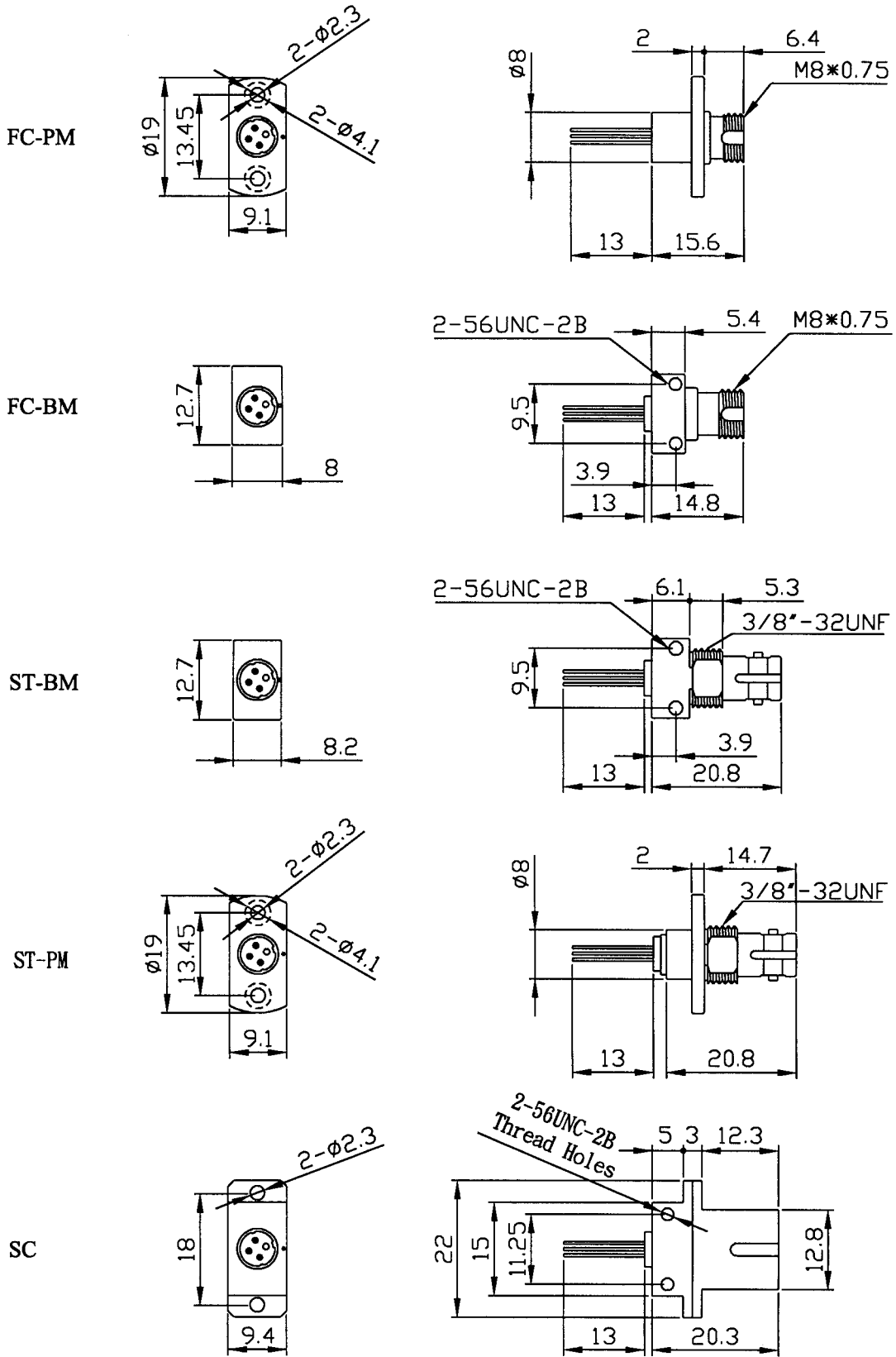
Pigtail Type



1300nm LED Module

1300 nm LED Module

Receptacle Type



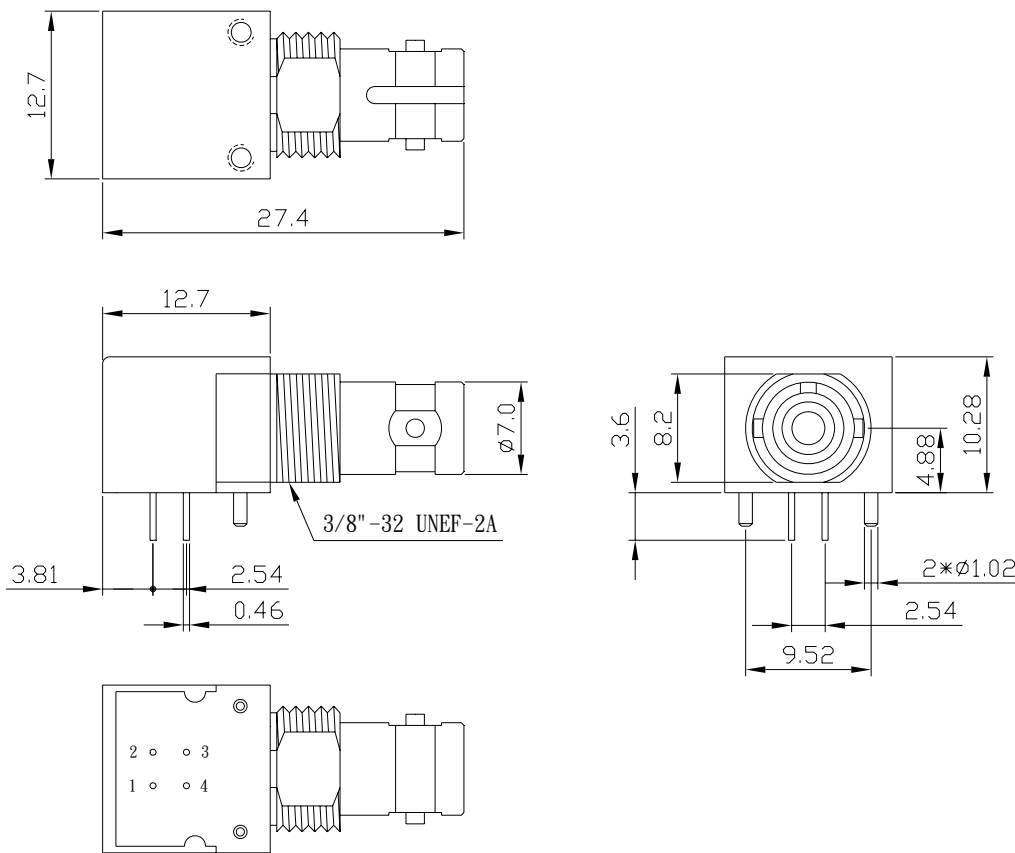
1300nm LED Module

Sugar Cube

Pin Connections

PIN No.	FUNCTION
1	ANODE
2	CATHODE
3	ANODE
4	ANODE

Dimension (ST Receptacle) Unit mm



Units: mm

1300nm LED Module

1300nm LED
Fiber Output Power vs. Drive Current

